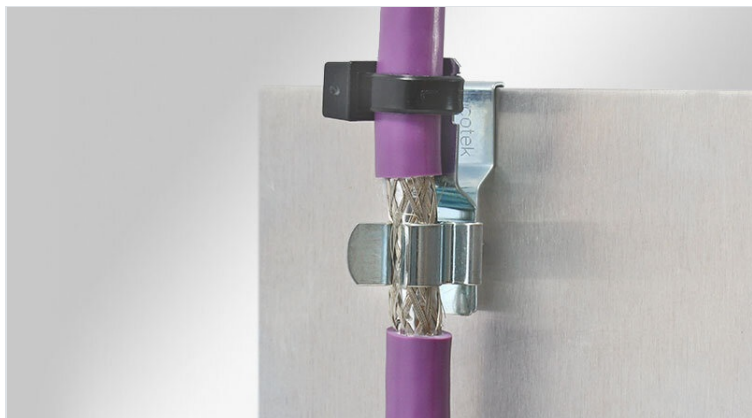


EMC shield clamps for metal sheet edges, pluggable

with or without integrated strain relief



EMC shield clamps are used, where the shield of cables must be connected to the earth potential. They are easy to use and effective in earthing single cable shields.

When using types with integrated strain relief cables can be fixed via the cable jacket using cable ties. Thus strain relief in accordance with EN 62444 is achieved.

Due to its special design the clamping ranges of the MSKL are very large while the dimensions are comparatively small. (Example: MSKL 3-12, assembled with a 12 mm cable shield: width 26.25 mm).

These shield clamps are used where a screw connection is either not possible or wanted. The shield is simply plugged on the metal sheet edge. The claws provide a secure grip, even in case of vibrations.



RoHS compliant



Made in Germany



Specifications

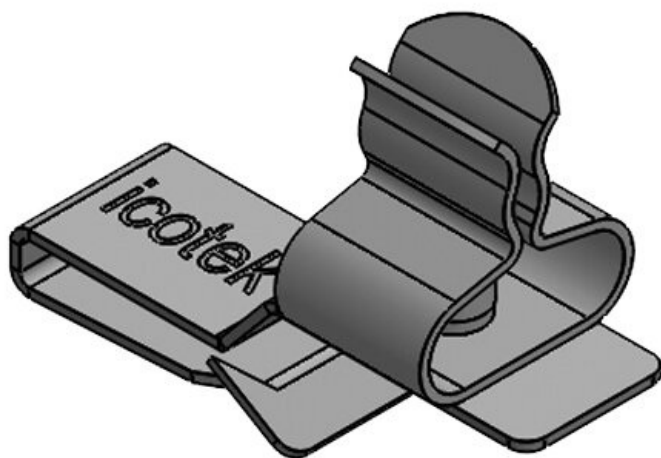
Material	Shield clamp: Spring steel, zinc plated Mounting foot: Spring steel
Properties	vibration proof
Mounting options	Clamping

Advantages & benefits

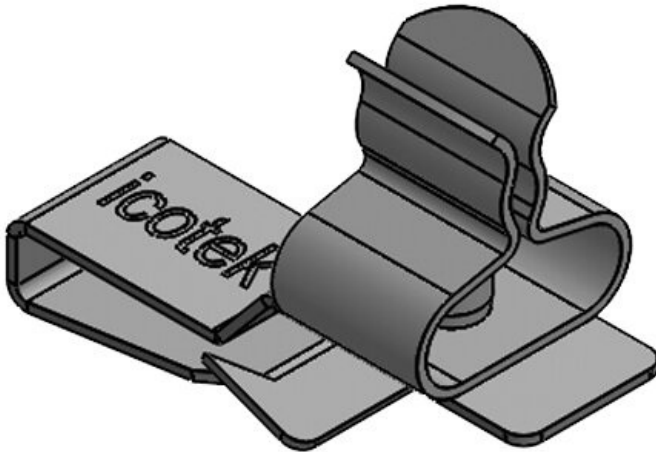
- Partially with integrated strain relief
- Large contact area
- Shield contact and strain relief separated
- Quick assembly without tools
- The spring design requires no adjustments and will permanently maintain contact to the cable shield
- Designed for high density applications
- Shock and vibration resistant, maintenance free

Product types & sizes

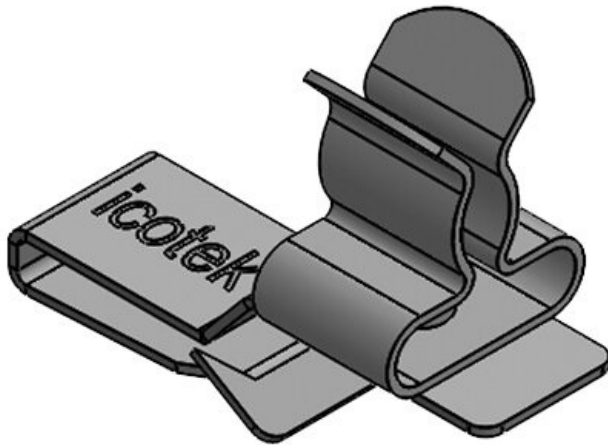
PFK-A|SKL 1.5-3



Part No.	36778.1	Min. shield diam.	1,5 mm
EAN	4251269303	Max. shield diam.	3 mm
Package quantity	10	Length	28,5 mm
No. of shield clamps	1	Strain relief function	No
Shield clamp type	SKL	Width	12 mm
For max. no. of cables	1	Height	19,4 mm
Shield diameter	1,5 - 3 mm	For min. wall thickness	1,5 mm
		For max. wall thickness	2 mm

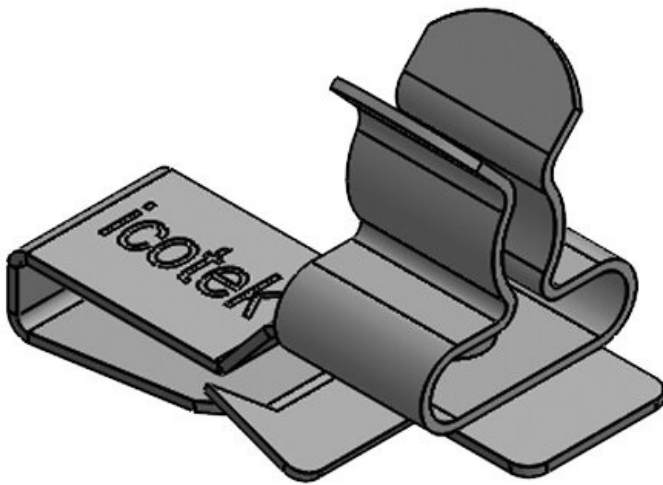


Part No.	36782.1	Min. shield diam.	1,5 mm
EAN	4251269303	Max. shield diam.	3 mm
Package quantity	10	Length	28,5 mm
No. of shield clamps	1	Strain relief function	No
Shield clamp type	SKL	Width	12 mm
For max. no. of cables	1	Height	20,4 mm
Shield diameter	1,5 - 3 mm	For min. wall thickness	2 mm
		For max. wall thickness	3 mm

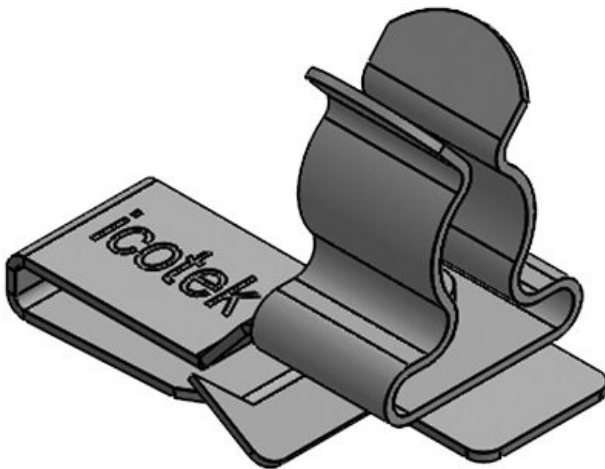


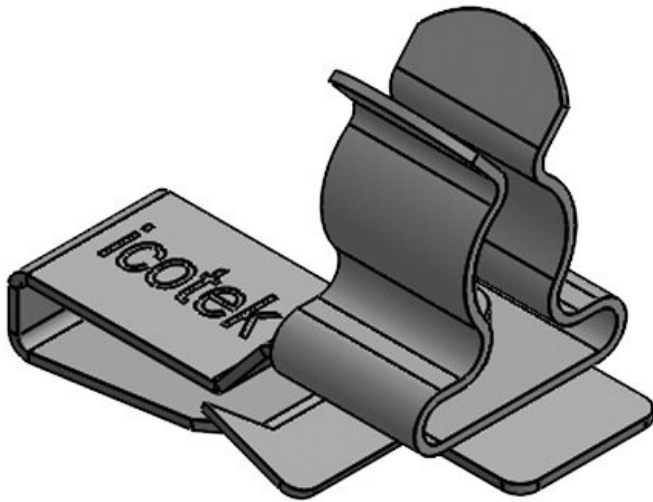
Part No.	36778.2	Min. shield diam.	3 mm
EAN	4251269303	Max. shield diam.	6 mm
Package quantity	10	Length	28,5 mm
No. of shield clamps	1	Strain relief function	No
Shield clamp type	SKL	Width	12 mm
For max. no. of cables	1	Height	20,1 mm
Shield diameter	3 - 6 mm	For min. wall thickness	1,5 mm
		For max. wall thickness	2 mm

Part No.	36782.2	Min. shield diam.	3 mm
EAN	4251269303777	Max. shield diam.	6 mm
Package quantity	10	Length	28,5 mm
No. of shield clamps	1	Strain relief function	No
Shield clamp type	SKL	Width	12 mm
For max. no. of cables	1	Height	21,1 mm
Shield diameter	3 - 6 mm	For min. wall thickness	2 mm
		For max. wall thickness	3 mm

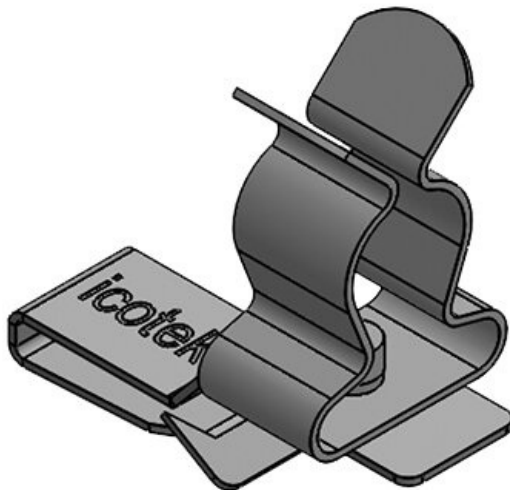


Part No.	36778.3	Min. shield diam.	6 mm
EAN	4251269303241	Max. shield diam.	8 mm
Package quantity	10	Length	28,5 mm
No. of shield clamps	1	Strain relief function	No
Shield clamp type	SKL	Width	12 mm
For max. no. of cables	1	Height	21,5 mm
Shield diameter	6 - 8 mm	For min. wall thickness	1,5 mm
		For max. wall thickness	2 mm



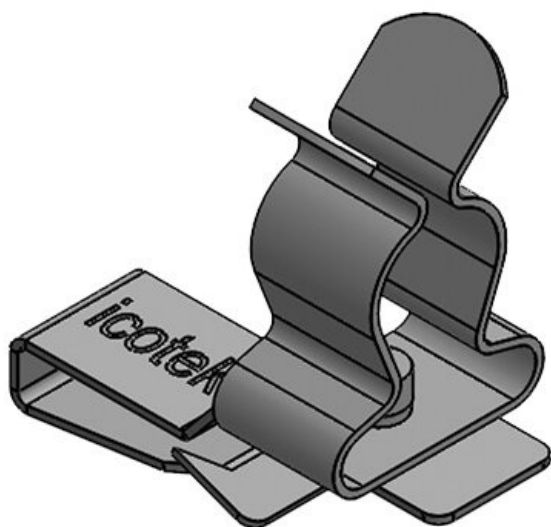


Part No.	36782.3	Min. shield diam.	6 mm
EAN	4251269303	Max. shield diam.	8 mm
Package quantity	10	Length	28,5 mm
No. of shield clamps	1	Strain relief function	No
Shield clamp type	SKL	Width	12 mm
For max. no. of cables	1	Height	22,5 mm
Shield diameter	6 - 8 mm	For min. wall thickness	2 mm
		For max. wall thickness	3 mm

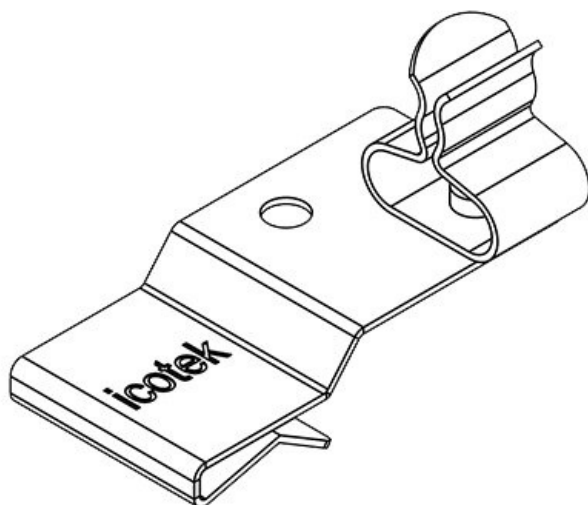


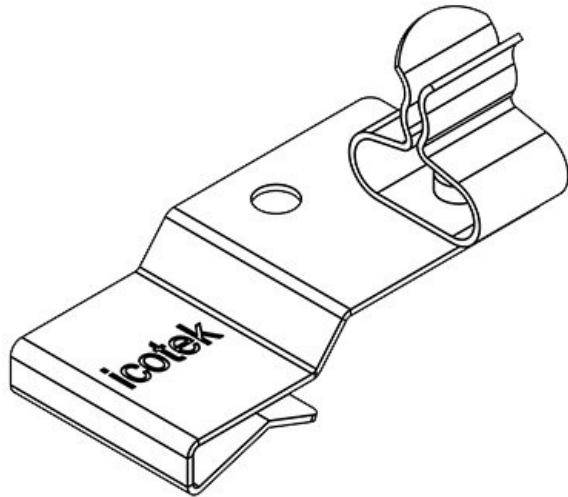
Part No.	36778.4	Min. shield diam.	8 mm
EAN	4251269303	Max. shield diam.	11 mm
Package quantity	10	Length	28,5 mm
No. of shield clamps	1	Strain relief function	No
Shield clamp type	SKL	Width	12 mm
For max. no. of cables	1	Height	26,5 mm
Shield diameter	8 - 11 mm	For min. wall thickness	1,5 mm
		For max. wall thickness	2 mm

Part No.	36782.4	Min. shield diam.	8 mm
EAN	4251269303	Max. shield diam.	11 mm
Package quantity	10	Length	28,5 mm
No. of shield clamps	1	Strain relief function	No
Shield clamp type	SKL	Width	12 mm
For max. no. of cables	1	Height	27,5 mm
Shield diameter	8 - 11 mm	For min. wall thickness	2 mm
		For max. wall thickness	3 mm

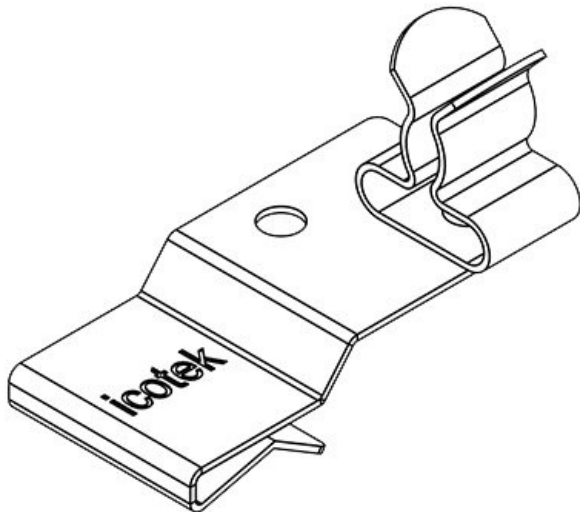


Part No.	36780.01	Length	32,5 mm
EAN	4251269303	Min. shield diam. pos. 2	1,5 mm
Package quantity	10	Max. shield diam. pos. 2	3 mm
No. of shield clamps	1	Strain relief function	No
Shield clamp type	SKL	Width	18 mm
For max. no. of cables	1	Height	20,7 mm
Shield diameter	- 1,5 - 3 mm	For min. wall thickness	1,5 mm
		For max. wall thickness	2 mm



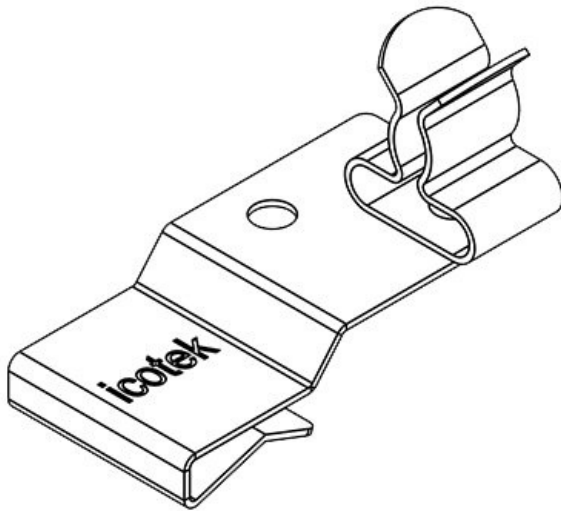


Part No.	36784.01	Length	32,5 mm
EAN	4251269303	Min. shield diam. pos. 2	1,5 mm
	845	Max. shield diam. pos. 2	3 mm
Package quantity	10	Strain relief function	No
No. of shield clamps	1	Width	18 mm
Shield clamp type	SKL	Height	20,4 mm
For max. no. of cables	1	For min. wall thickness	2 mm
Shield diameter	- 1,5 - 3 mm	For max. wall thickness	3 mm

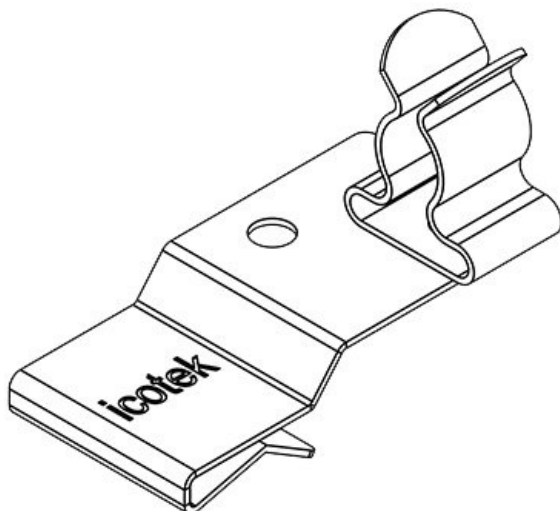


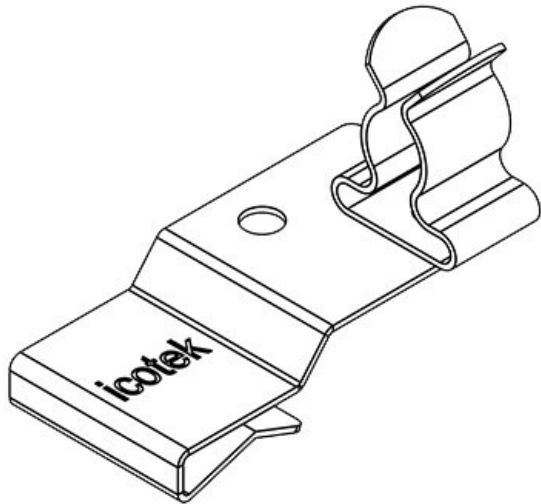
Part No.	36780.02	Length	32,5 mm
EAN	4251269303	Min. shield diam. pos. 2	3 mm
	319	Max. shield diam. pos. 2	6 mm
Package quantity	10	Strain relief function	No
No. of shield clamps	1	Width	18 mm
Shield clamp type	SKL	Height	21,5 mm
For max. no. of cables	1	For min. wall thickness	1,5 mm
Shield diameter	- 3 - 6 mm	For max. wall thickness	2 mm

Part No.	36784.02	Length	32,5 mm
EAN	4251269303	Min. shield diam. pos. 2	3 mm
	852	Max. shield diam. pos. 2	6 mm
Package quantity	10	Strain relief function	No
No. of shield clamps	1	Width	18 mm
Shield clamp type	SKL	Height	21,1 mm
For max. no. of cables	1	For min. wall thickness	2 mm
Shield diameter	- 3 - 6 mm	For max. wall thickness	3 mm

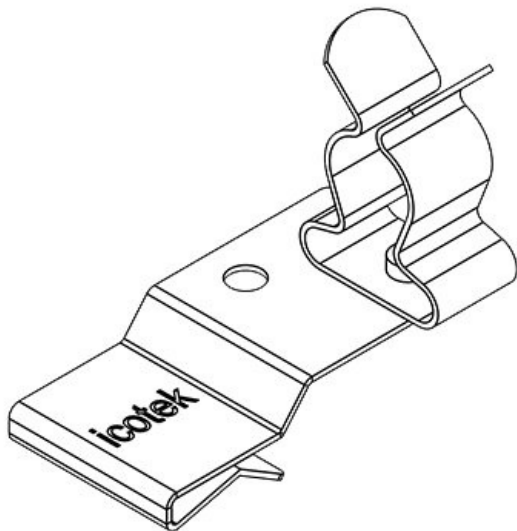


Part No.	36780.03	Length	32,5 mm
EAN	4251269303	Min. shield diam. pos. 2	6 mm
	326	Max. shield diam. pos. 2	8 mm
Package quantity	10	Strain relief function	No
No. of shield clamps	1	Width	18 mm
Shield clamp type	SKL	Height	22,9 mm
For max. no. of cables	1	For min. wall thickness	1,5 mm
Shield diameter	- 6 - 8 mm	For max. wall thickness	2 mm





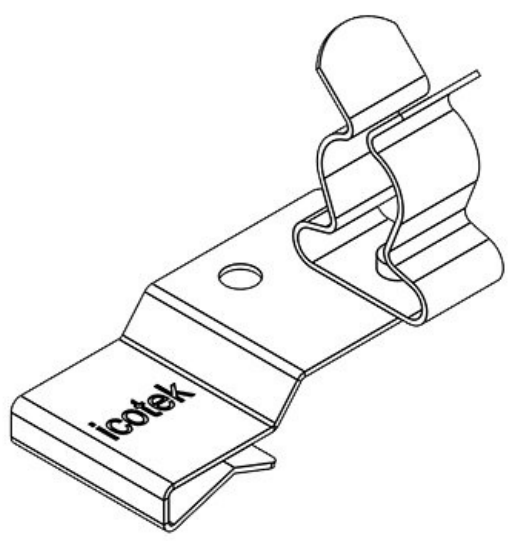
Part No.	36784.03	Length	32,5 mm
EAN	4251269303	Min. shield diam. pos. 2	6 mm
	869	Max. shield diam. pos. 2	8 mm
Package quantity	10	Strain relief function	No
No. of shield clamps	1	Width	18 mm
Shield clamp type	SKL	Height	22,5 mm
For max. no. of cables	1	For min. wall thickness	2 mm
Shield diameter	- 6 - 8 mm	For max. wall thickness	3 mm



Part No.	36780.04	Length	32,5 mm
EAN	4251269303	Min. shield diam. pos. 2	8 mm
	333	Max. shield diam. pos. 2	11 mm
Package quantity	10	Strain relief function	No
No. of shield clamps	1	Width	18 mm
Shield clamp type	SKL	Height	27,9 mm
For max. no. of cables	1	For min. wall thickness	1,5 mm
Shield diameter	- 8 - 11 mm	For max. wall thickness	2 mm

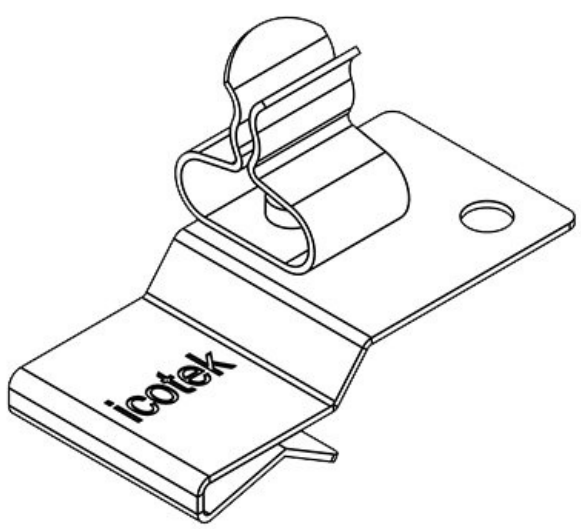
PFK2-B|SKL 04

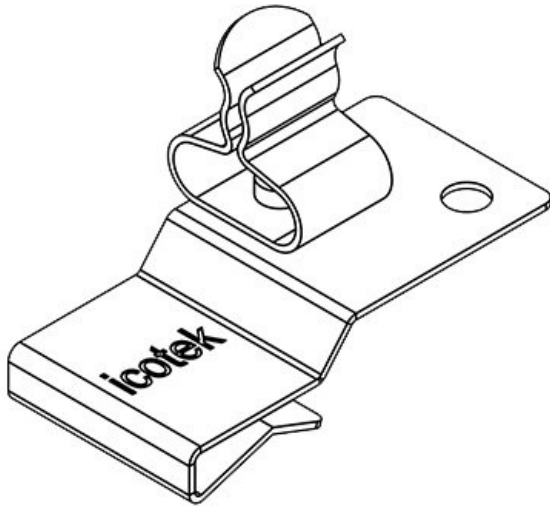
Part No.	36784.04	Length	32,5 mm
EAN	4251269303	Min. shield diam. pos. 2	8 mm
	876	Max. shield diam. pos. 2	11 mm
Package quantity	10	Strain relief function	No
No. of shield clamps	1	Width	18 mm
Shield clamp type	SKL	Height	27,5 mm
For max. no. of cables	1	For min. wall thickness	2 mm
Shield diameter	- 8 - 11 mm	For max. wall thickness	3 mm



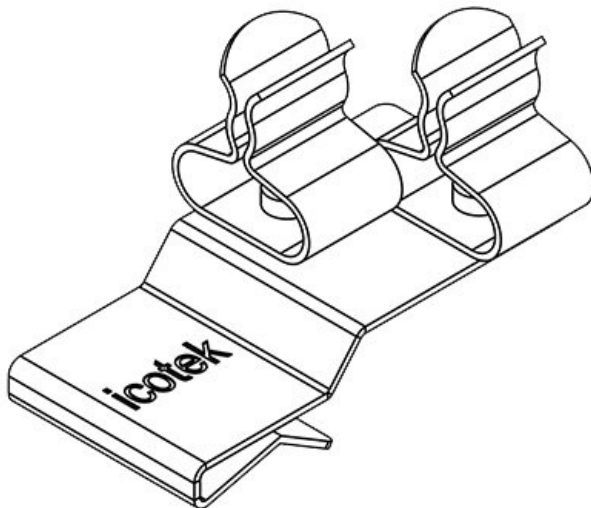
PFK2-A|SKL 10

Part No.	36780.10	Min. shield diam. pos. 1	1,5 mm
EAN	4251269303	Max. shield diam. pos. 1	3 mm
	340	Length	32,5 mm
Package quantity	10	Strain relief function	No
No. of shield clamps	1	Width	18 mm
Shield clamp type	SKL	Height	20,7 mm
For max. no. of cables	1	For min. wall thickness	1,5 mm
Shield diameter	1,5 - 3 mm	For max. wall thickness	2 mm





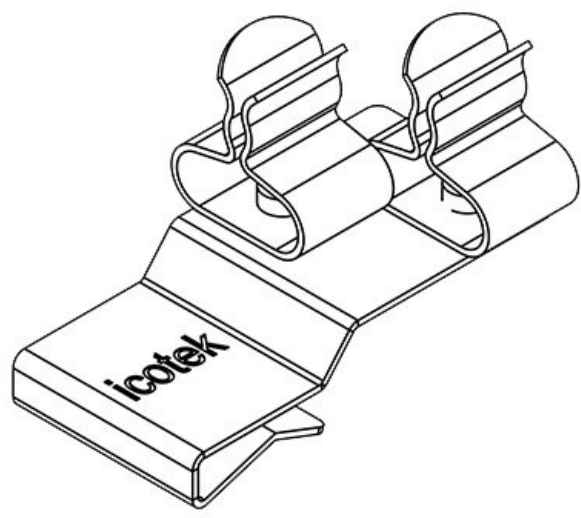
Part No.	36784.10	Min. shield diam. pos. 1	1,5 mm
EAN	4251269303	Max. shield diam. pos. 1	3 mm
Package quantity	10	Length	32,5 mm
No. of shield clamps	1	Strain relief function	No
Shield clamp type	SKL	Width	18 mm
For max. no. of cables	1	Height	20,4 mm
Shield diameter	1,5 - 3 mm	For min. wall thickness	2 mm
		For max. wall thickness	3 mm



Part No.	36780.11	Min. shield diam. pos. 1	1,5 mm
EAN	4251269303	Max. shield diam. pos. 1	3 mm
Package quantity	10	Length	32,5 mm
No. of shield clamps	2	Min. shield diam. pos. 2	1,5 mm
Shield clamp type	SKL	Max. shield diam. pos. 2	3 mm
For max. no. of cables	2	Strain relief function	No
Shield diameter	1,5 - 3 mm	Width	20 mm
	1,5 - 3 mm	Height	20,7 mm
		For min. wall thickness	1,5 mm
		For max. wall thickness	2 mm

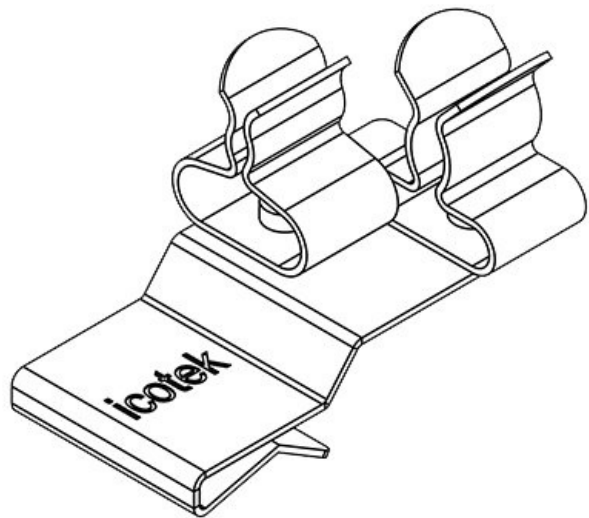
PFK2-B|SKL 11

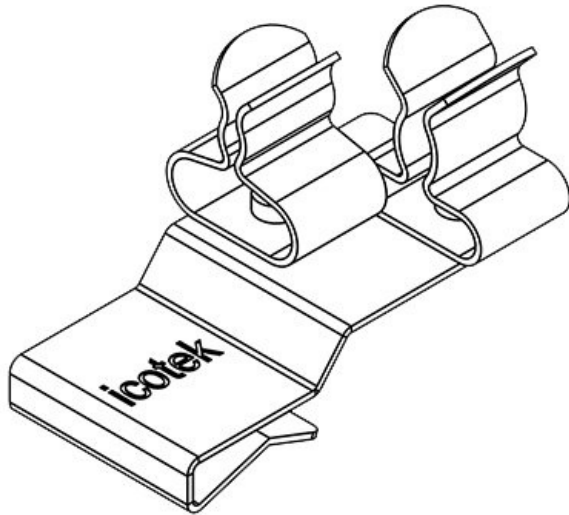
Part No.	36784.11	Min. shield diam. pos. 1	1,5 mm
EAN	4251269303	Max. shield diam. pos. 1	3 mm
Package quantity	10	Length	32,5 mm
No. of shield clamps	2	Min. shield diam. pos. 2	1,5 mm
Shield clamp type	SKL	Max. shield diam. pos. 2	3 mm
For max. no. of cables	2	Strain relief function	No
Shield diameter	1,5 - 3 mm	Width	20 mm
	1,5 - 3 mm	Height	20,4 mm
		For min. wall thickness	2 mm
		For max. wall thickness	3 mm



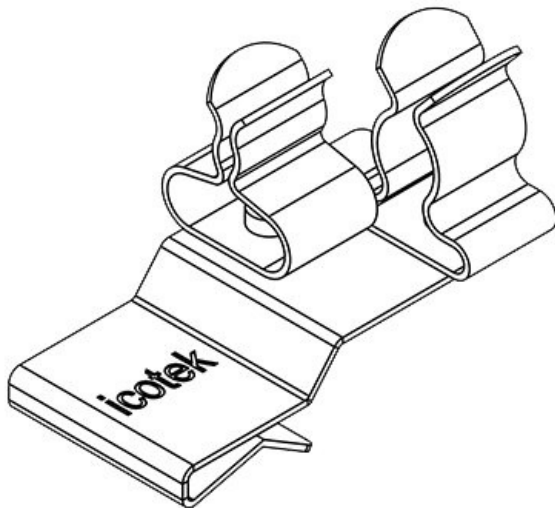
PFK2-A|SKL 12

Part No.	36780.12	Min. shield diam. pos. 1	1,5 mm
EAN	4251269303	Max. shield diam. pos. 1	3 mm
Package quantity	10	Length	32,5 mm
No. of shield clamps	2	Min. shield diam. pos. 2	3 mm
Shield clamp type	SKL	Max. shield diam. pos. 2	6 mm
For max. no. of cables	2	Strain relief function	No
Shield diameter	1,5 - 3 mm	Width	20 mm
	3 - 6 mm	Height	21,5 mm
		For min. wall thickness	1,5 mm
		For max. wall thickness	2 mm





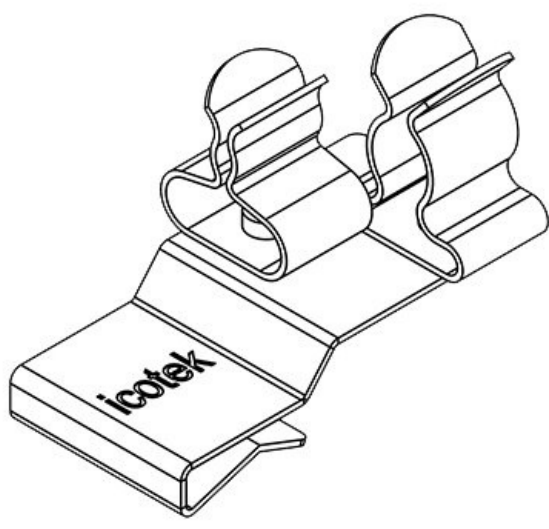
Part No.	36784.12	Min. shield diam. pos. 1	1,5 mm
EAN	4251269303	Max. shield diam. pos. 1	3 mm
Package quantity	10	Length	32,5 mm
No. of shield clamps	2	Min. shield diam. pos. 2	3 mm
Shield clamp type	SKL	Max. shield diam. pos. 2	6 mm
For max. no. of cables	2	Strain relief function	No
Shield diameter	1,5 - 3 mm 3 - 6 mm	Width	20 mm
		Height	21,1 mm
		For min. wall thickness	2 mm
		For max. wall thickness	3 mm



Part No.	36780.13	Min. shield diam. pos. 1	1,5 mm
EAN	4251269303	Max. shield diam. pos. 1	3 mm
Package quantity	10	Length	32,5 mm
No. of shield clamps	2	Min. shield diam. pos. 2	6 mm
Shield clamp type	SKL	Max. shield diam. pos. 2	8 mm
For max. no. of cables	2	Strain relief function	No
Shield diameter	1,5 - 3 mm 6 - 8 mm	Width	20 mm
		Height	22,9 mm
		For min. wall thickness	1,5 mm
		For max. wall thickness	2 mm

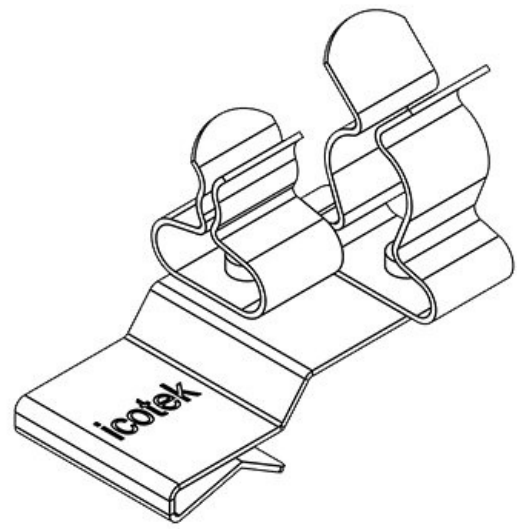
PFK2-B|SKL 13

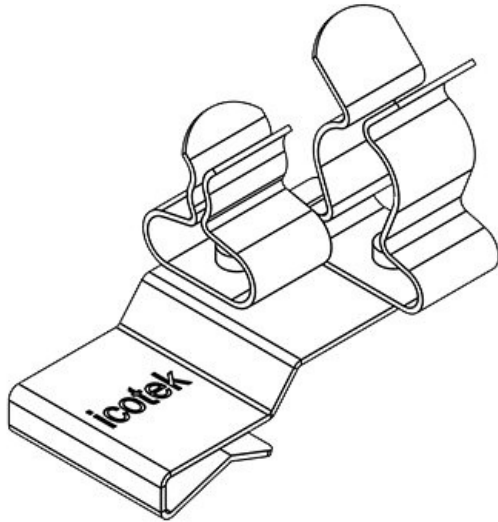
Part No.	36784.13	Min. shield diam. pos. 1	1,5 mm
EAN	4251269303	Max. shield diam. pos. 1	3 mm
Package quantity	10	Length	32,5 mm
No. of shield clamps	2	Min. shield diam. pos. 2	6 mm
Shield clamp type	SKL	Max. shield diam. pos. 2	8 mm
For max. no. of cables	2	Strain relief function	No
Shield diameter	1,5 - 3 mm 6 - 8 mm	Width	20 mm
		Height	22,5 mm
		For min. wall thickness	2 mm
		For max. wall thickness	3 mm



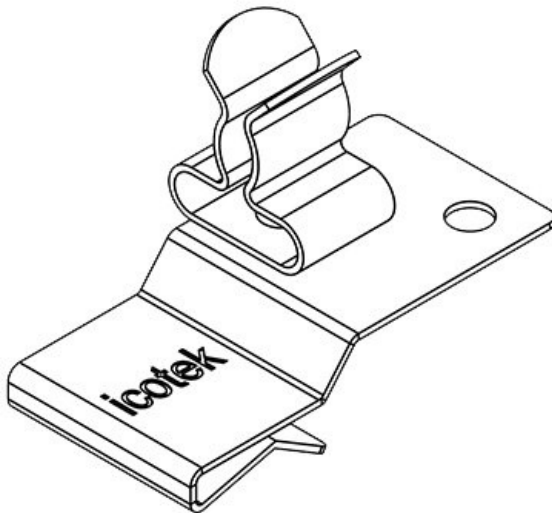
PFK2-A|SKL 14

Part No.	36780.14	Min. shield diam. pos. 1	1,5 mm
EAN	4251269303	Max. shield diam. pos. 1	3 mm
Package quantity	10	Length	32,5 mm
No. of shield clamps	2	Min. shield diam. pos. 2	8 mm
Shield clamp type	SKL	Max. shield diam. pos. 2	11 mm
For max. no. of cables	2	Strain relief function	No
Shield diameter	1,5 - 3 mm 8 - 11 mm	Width	20 mm
		Height	27,9 mm
		For min. wall thickness	1,5 mm
		For max. wall thickness	2 mm



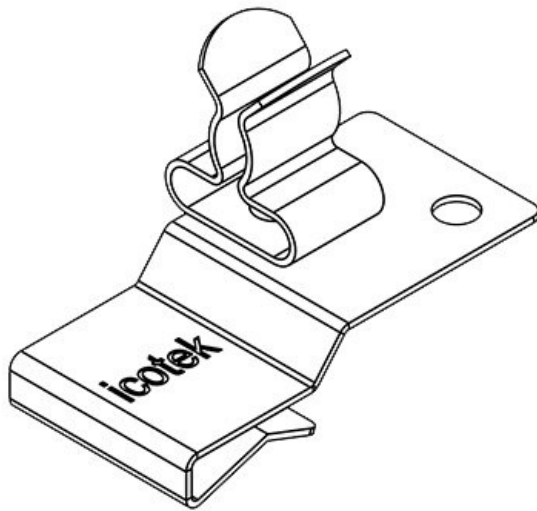


Part No.	36784.14	Min. shield diam. pos. 1	1,5 mm
EAN	4251269303	Max. shield diam. pos. 1	3 mm
Package quantity	10	Length	32,5 mm
No. of shield clamps	2	Min. shield diam. pos. 2	8 mm
Shield clamp type	SKL	Max. shield diam. pos. 2	11 mm
For max. no. of cables	2	Strain relief function	No
Shield diameter	1,5 - 3 mm 8 - 11 mm	Width	20 mm
		Height	27,5 mm
		For min. wall thickness	2 mm
		For max. wall thickness	3 mm

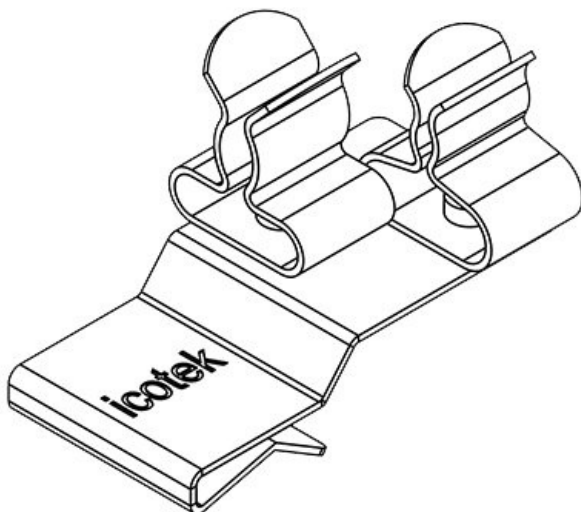


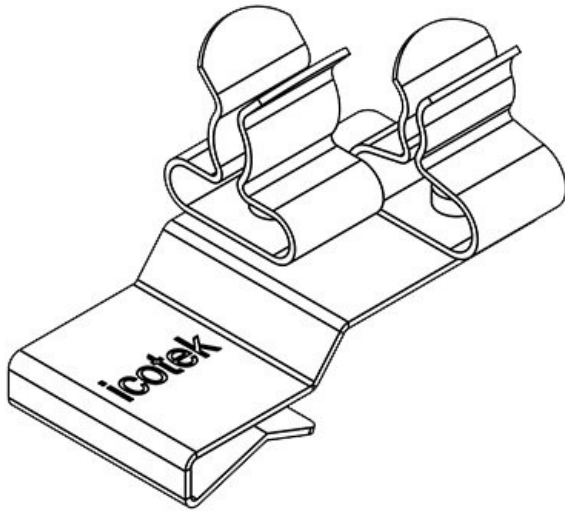
Part No.	36780.20	Min. shield diam. pos. 1	3 mm
EAN	4251269303	Max. shield diam. pos. 1	6 mm
Package quantity	10	Length	32,5 mm
No. of shield clamps	1	Strain relief function	No
Shield clamp type	SKL	Width	18 mm
For max. no. of cables	1	Height	21,5 mm
Shield diameter	3 - 6 mm -	For min. wall thickness	1,5 mm
		For max. wall thickness	2 mm

Part No.	36784.20	Min. shield diam. pos. 1	3 mm
EAN	4251269303	Max. shield diam. pos. 1	6 mm
Package quantity	10	Length	32,5 mm
No. of shield clamps	1	Strain relief function	No
Shield clamp type	SKL	Width	18 mm
For max. no. of cables	1	Height	21,1 mm
Shield diameter	3 - 6 mm -	For min. wall thickness	2 mm
		For max. wall thickness	3 mm

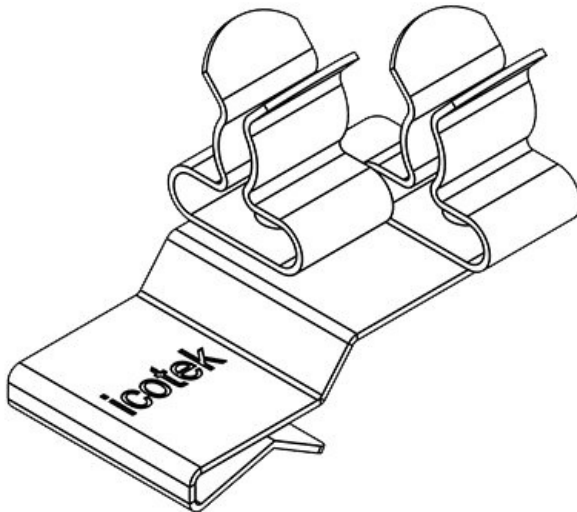


Part No.	36780.21	Min. shield diam. pos. 1	3 mm
EAN	4251269303	Max. shield diam. pos. 1	6 mm
Package quantity	10	Length	32,5 mm
No. of shield clamps	2	Min. shield diam. pos. 2	1,5 mm
Shield clamp type	SKL	Max. shield diam. pos. 2	3 mm
For max. no. of cables	2	Strain relief function	No
Shield diameter	3 - 6 mm 	Width	20 mm
	1,5 - 3 mm	Height	21,5 mm
		For min. wall thickness	1,5 mm
		For max. wall thickness	2 mm



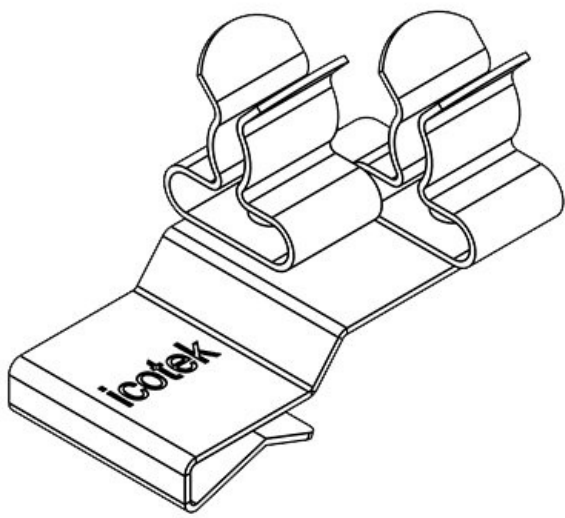


Part No.	36784.21	Min. shield diam. pos. 1	3 mm
EAN	4251269303	Max. shield diam. pos. 1	6 mm
Package quantity	10	Length	32,5 mm
No. of shield clamps	2	Min. shield diam. pos. 2	1,5 mm
Shield clamp type	SKL	Max. shield diam. pos. 2	3 mm
For max. no. of cables	2	Strain relief function	No
Shield diameter	3 - 6 mm 1,5 - 3 mm	Width	20 mm
		Height	21,1 mm
		For min. wall thickness	2 mm
		For max. wall thickness	3 mm

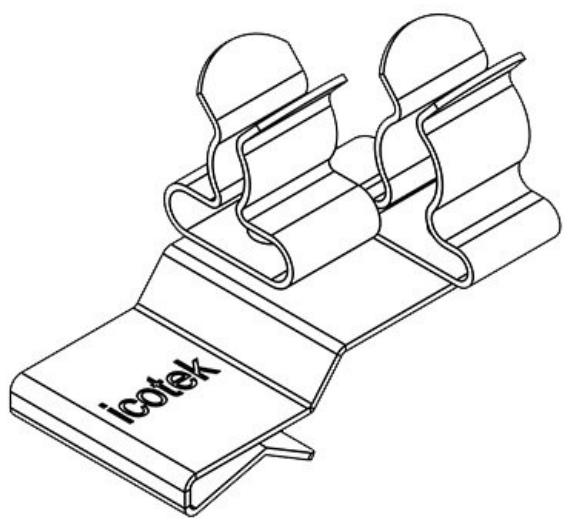


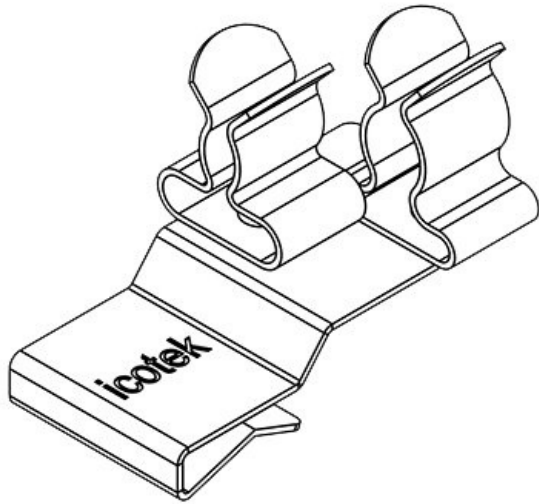
Part No.	36780.22	Min. shield diam. pos. 1	3 mm
EAN	4251269303	Max. shield diam. pos. 1	6 mm
Package quantity	10	Length	32,5 mm
No. of shield clamps	2	Min. shield diam. pos. 2	3 mm
Shield clamp type	SKL	Max. shield diam. pos. 2	6 mm
For max. no. of cables	2	Strain relief function	No
Shield diameter	3 - 6 mm 3 - 6 mm	Width	20 mm
		Height	21,5 mm
		For min. wall thickness	1,5 mm
		For max. wall thickness	2 mm

Part No.	36784.22	Min. shield diam. pos. 1	3 mm
EAN	4251269303	Max. shield diam. pos. 1	6 mm
Package quantity	10	Length	32,5 mm
No. of shield clamps	2	Min. shield diam. pos. 2	3 mm
Shield clamp type	SKL	Max. shield diam. pos. 2	6 mm
For max. no. of cables	2	Strain relief function	No
Shield diameter	3 - 6 mm	Width	20 mm
	6 mm	Height	21,1 mm
		For min. wall thickness	2 mm
		For max. wall thickness	3 mm

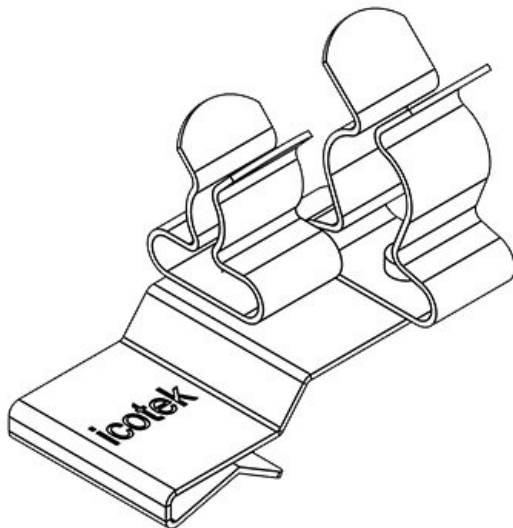


Part No.	36780.23	Min. shield diam. pos. 1	3 mm
EAN	4251269303	Max. shield diam. pos. 1	6 mm
Package quantity	10	Length	32,5 mm
No. of shield clamps	2	Min. shield diam. pos. 2	6 mm
Shield clamp type	SKL	Max. shield diam. pos. 2	8 mm
For max. no. of cables	2	Strain relief function	No
Shield diameter	3 - 6 mm	Width	20 mm
	8 mm	Height	22,9 mm
		For min. wall thickness	1,5 mm
		For max. wall thickness	2 mm





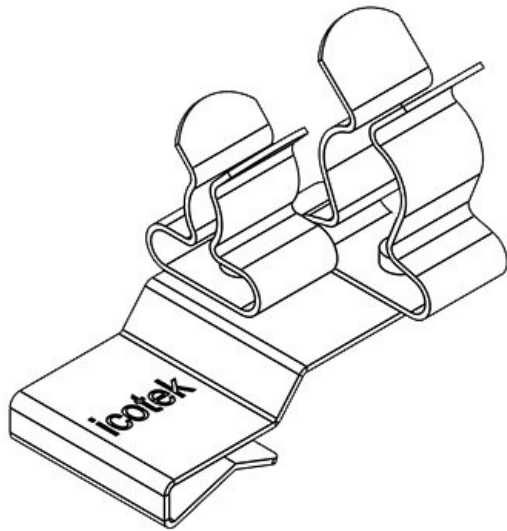
Part No.	36784.23	Min. shield diam. pos. 1	3 mm
EAN	4251269303	Max. shield diam. pos. 1	6 mm
Package quantity	10	Length	32,5 mm
No. of shield clamps	2	Min. shield diam. pos. 2	6 mm
Shield clamp type	SKL	Max. shield diam. pos. 2	8 mm
For max. no. of cables	2	Strain relief function	No
Shield diameter	3 - 6 mm 6 - 8 mm	Width	20 mm
		Height	22,5 mm
		For min. wall thickness	2 mm
		For max. wall thickness	3 mm



Part No.	36780.24	Min. shield diam. pos. 1	3 mm
EAN	4251269303	Max. shield diam. pos. 1	6 mm
Package quantity	10	Length	32,5 mm
No. of shield clamps	2	Min. shield diam. pos. 2	8 mm
Shield clamp type	SKL	Max. shield diam. pos. 2	11 mm
For max. no. of cables	2	Strain relief function	No
Shield diameter	3 - 6 mm 8 - 11 mm	Width	20 mm
		Height	27,9 mm
		For min. wall thickness	1,5 mm
		For max. wall thickness	2 mm

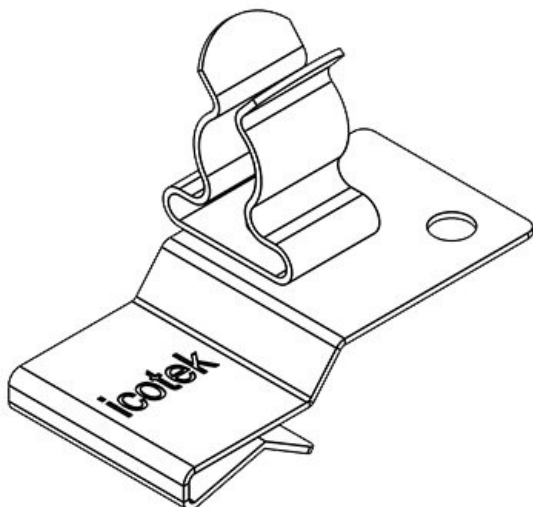
PFK2-B|SKL 24

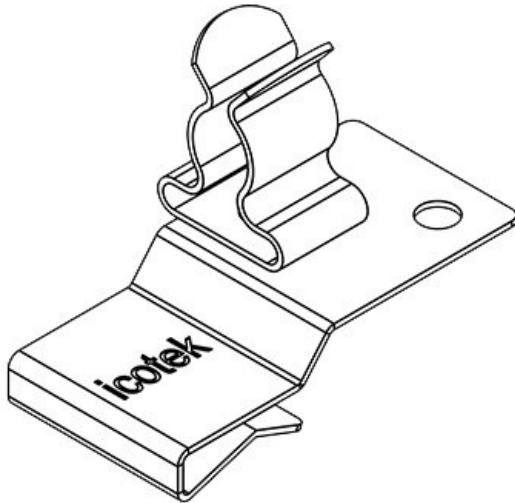
Part No.	36784.24	Min. shield	3 mm
EAN	4251269303	diam. pos. 1	
	975	Max. shield	6 mm
Package	10	diam. pos. 1	
quantity		Length	32,5 mm
No. of shield	2	Min. shield	8 mm
clamps		diam. pos. 2	
Shield clamp	SKL	Max. shield	11 mm
type		diam. pos. 2	
For max. no. of	2	Strain relief	No
cables		function	
Shield	3 - 6 mm 8 -	Width	20 mm
diameter	11 mm	Height	27,5 mm
		For min. wall	2 mm
		thickness	
		For max. wall	3 mm
		thickness	



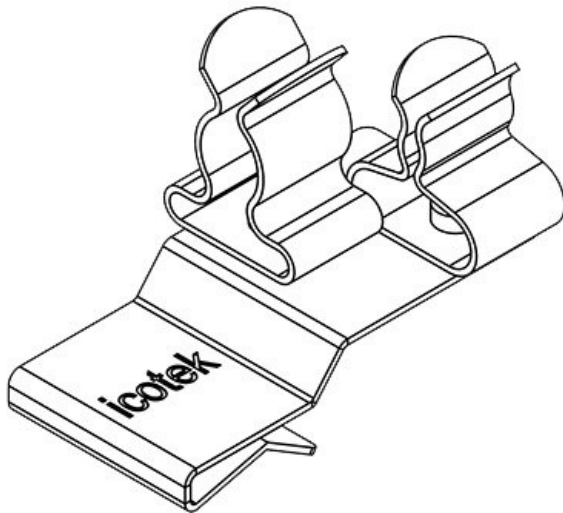
PFK2-A|SKL 30

Part No.	36780.30	Min. shield	6 mm
EAN	4251269303	diam. pos. 1	
	449	Max. shield	8 mm
Package	10	diam. pos. 1	
quantity		Length	32,5 mm
No. of shield	1	Strain relief	No
clamps		function	
Shield clamp	SKL	Width	18 mm
type		Height	22,9 mm
For max. no. of	1	For min. wall	1,5 mm
cables		thickness	
Shield	6 - 8 mm -	For max. wall	2 mm
diameter		thickness	



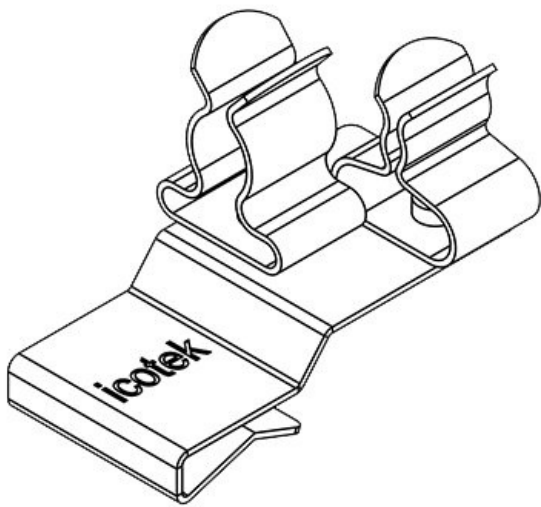


Part No.	36784.30	Min. shield diam. pos. 1	6 mm
EAN	4251269303	Max. shield diam. pos. 1	8 mm
	982	Length	32,5 mm
Package quantity	10	Strain relief function	No
No. of shield clamps	1	Width	18 mm
Shield clamp type	SKL	Height	22,5 mm
For max. no. of cables	1	For min. wall thickness	2 mm
Shield diameter	6 - 8 mm -	For max. wall thickness	3 mm

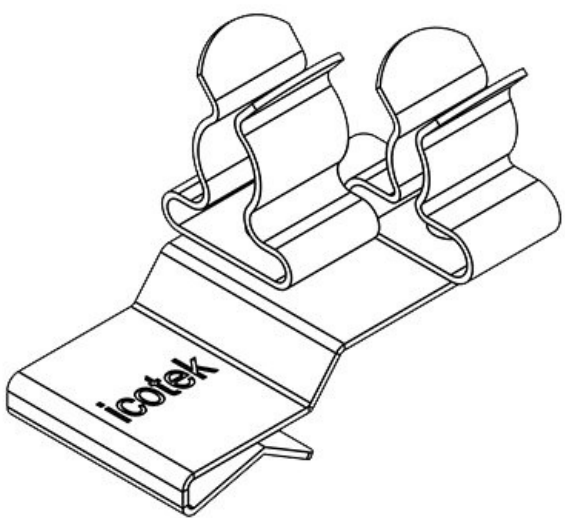


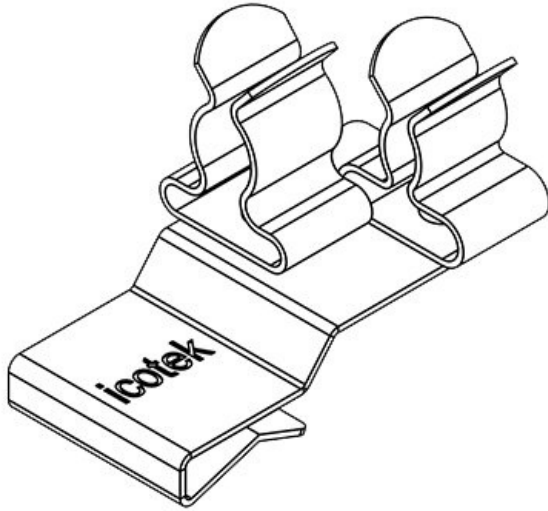
Part No.	36780.31	Min. shield diam. pos. 1	6 mm
EAN	4251269303	Max. shield diam. pos. 1	8 mm
	456	Length	32,5 mm
Package quantity	10	Min. shield diam. pos. 2	1,5 mm
No. of shield clamps	2	Max. shield diam. pos. 2	3 mm
Shield clamp type	SKL	Strain relief function	No
For max. no. of cables	2	Width	20 mm
Shield diameter	6 - 8 mm 1,5 - 3 mm	Height	22,9 mm
		For min. wall thickness	1,5 mm
		For max. wall thickness	2 mm

Part No.	36784.31	Min. shield diam. pos. 1	6 mm
EAN	4251269303999	Max. shield diam. pos. 1	8 mm
Package quantity	10	Length	32,5 mm
No. of shield clamps	2	Min. shield diam. pos. 2	1,5 mm
Shield clamp type	SKL	Max. shield diam. pos. 2	3 mm
For max. no. of cables	2	Strain relief function	No
Shield diameter	6 - 8 mm 1,5 - 3 mm	Width	20 mm
		Height	22,5 mm
		For min. wall thickness	2 mm
		For max. wall thickness	3 mm

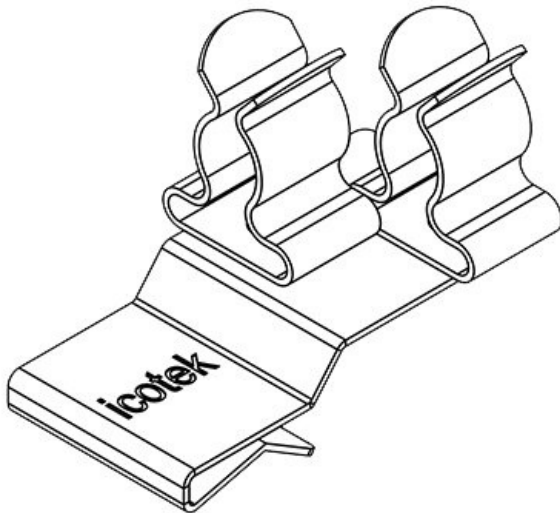


Part No.	36780.32	Min. shield diam. pos. 1	6 mm
EAN	4251269303463	Max. shield diam. pos. 1	8 mm
Package quantity	10	Length	32,5 mm
No. of shield clamps	2	Min. shield diam. pos. 2	3 mm
Shield clamp type	SKL	Max. shield diam. pos. 2	6 mm
For max. no. of cables	2	Strain relief function	No
Shield diameter	6 - 8 mm 3 - 6 mm	Width	20 mm
		Height	22,9 mm
		For min. wall thickness	1,5 mm
		For max. wall thickness	2 mm





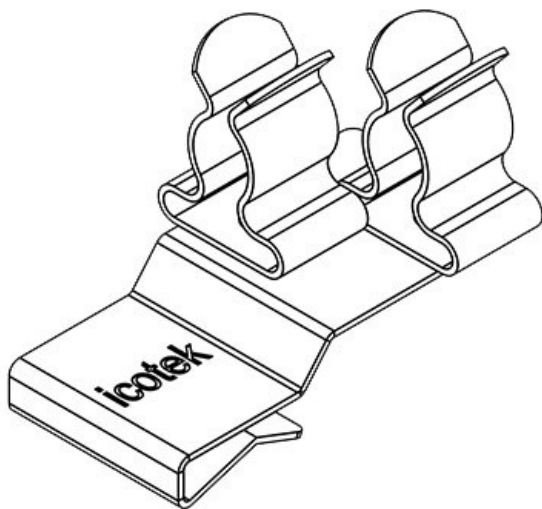
Part No.	36784.32	Min. shield diam. pos. 1	6 mm
EAN	4251269304	Max. shield diam. pos. 1	8 mm
	002	Length	32,5 mm
Package quantity	10	Min. shield diam. pos. 2	3 mm
No. of shield clamps	2	Max. shield diam. pos. 2	6 mm
Shield clamp type	SKL	Strain relief function	No
For max. no. of cables	2	Width	20 mm
Shield diameter	6 - 8 mm 3 - 6 mm	Height	22,5 mm
		For min. wall thickness	2 mm
		For max. wall thickness	3 mm



Part No.	36780.33	Min. shield diam. pos. 1	6 mm
EAN	4251269303	Max. shield diam. pos. 1	8 mm
	470	Length	32,5 mm
Package quantity	10	Min. shield diam. pos. 2	6 mm
No. of shield clamps	2	Max. shield diam. pos. 2	8 mm
Shield clamp type	SKL	Strain relief function	No
For max. no. of cables	2	Width	20 mm
Shield diameter	6 - 8 mm 6 - 8 mm	Height	22,9 mm
		For min. wall thickness	1,5 mm
		For max. wall thickness	2 mm

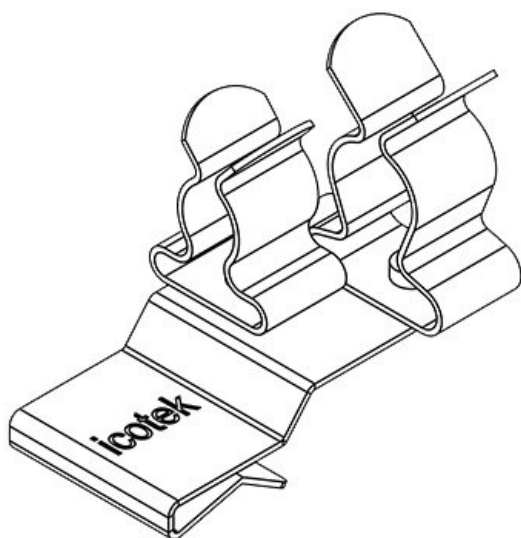
PFK2-B|SKL 33

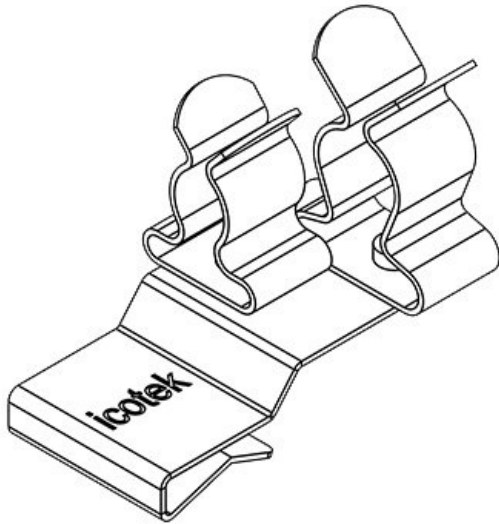
Part No.	36784.33	Min. shield diam. pos. 1	6 mm
EAN	4251269304	Max. shield diam. pos. 1	8 mm
Package quantity	10	Length	32,5 mm
No. of shield clamps	2	Min. shield diam. pos. 2	6 mm
Shield clamp type	SKL	Max. shield diam. pos. 2	8 mm
For max. no. of cables	2	Strain relief function	No
Shield diameter	6 - 8 mm	Width	20 mm
	8 mm	Height	22,5 mm
		For min. wall thickness	2 mm
		For max. wall thickness	3 mm



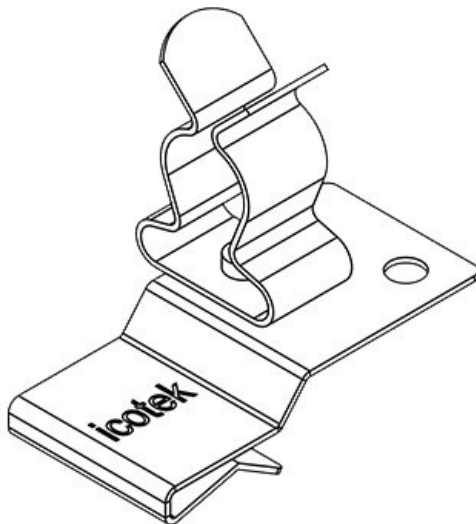
PFK2-A|SKL 34

Part No.	36780.34	Min. shield diam. pos. 1	6 mm
EAN	4251269303	Max. shield diam. pos. 1	8 mm
Package quantity	10	Length	32,5 mm
No. of shield clamps	2	Min. shield diam. pos. 2	8 mm
Shield clamp type	SKL	Max. shield diam. pos. 2	11 mm
For max. no. of cables	2	Strain relief function	No
Shield diameter	6 - 8 mm	Width	20 mm
	11 mm	Height	27,9 mm
		For min. wall thickness	1,5 mm
		For max. wall thickness	2 mm





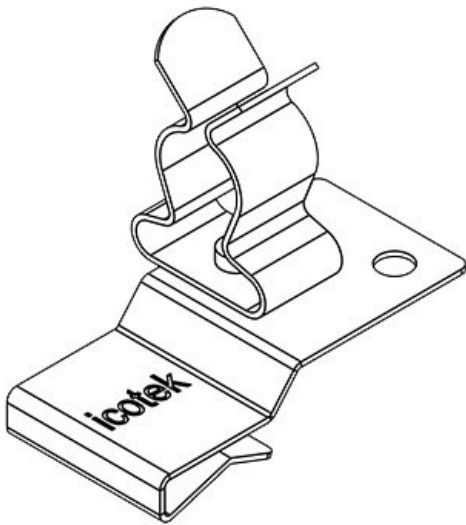
Part No.	36784.34	Min. shield diam. pos. 1	6 mm
EAN	4251269304026	Max. shield diam. pos. 1	8 mm
Package quantity	10	Length	32,5 mm
No. of shield clamps	2	Min. shield diam. pos. 2	8 mm
Shield clamp type	SKL	Max. shield diam. pos. 2	11 mm
For max. no. of cables	2	Strain relief function	No
Shield diameter	6 - 8 mm 8 - 11 mm	Width	20 mm
		Height	27,5 mm
		For min. wall thickness	2 mm
		For max. wall thickness	3 mm



Part No.	36780.40	Min. shield diam. pos. 1	8 mm
EAN	4251269303494	Max. shield diam. pos. 1	11 mm
Package quantity	10	Length	32,5 mm
No. of shield clamps	1	Strain relief function	No
Shield clamp type	SKL	Width	18 mm
For max. no. of cables	1	Height	27,9 mm
Shield diameter	8 - 11 mm -	For min. wall thickness	1,5 mm
		For max. wall thickness	2 mm

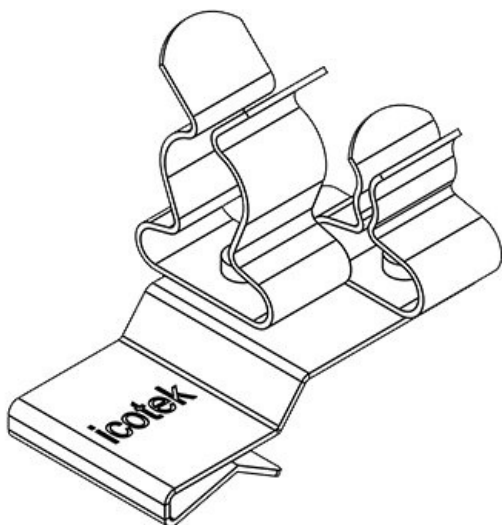
PFK2-B|SKL 40

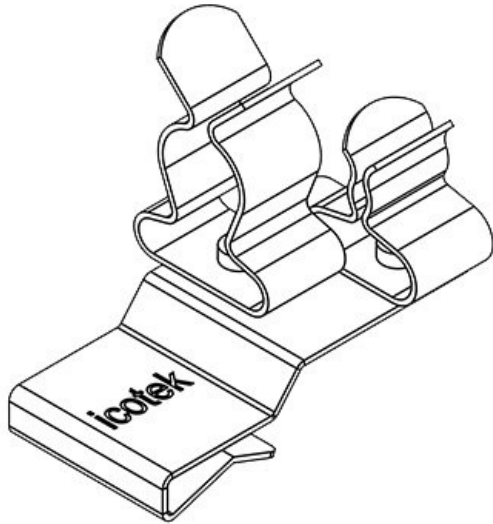
Part No.	36784.40	Min. shield diam. pos. 1	8 mm
EAN	4251269304	Max. shield diam. pos. 1	11 mm
Package quantity	10	Length	32,5 mm
No. of shield clamps	1	Strain relief function	No
Shield clamp type	SKL	Width	18 mm
For max. no. of cables	1	Height	27,5 mm
Shield diameter	8 - 11 mm 	For min. wall thickness	2 mm
		For max. wall thickness	3 mm



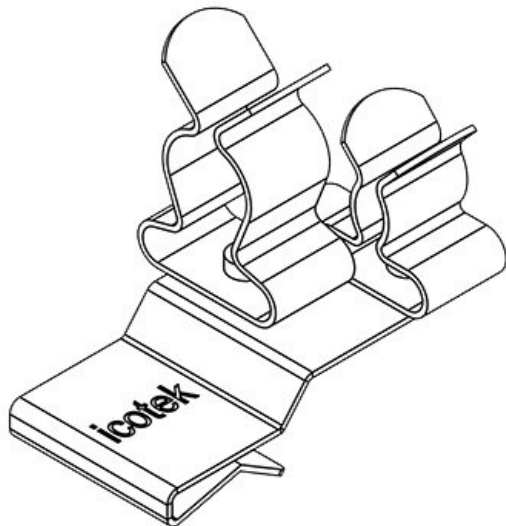
PFK2-A|SKL 41

Part No.	36780.41	Min. shield diam. pos. 1	8 mm
EAN	4251269303	Max. shield diam. pos. 1	11 mm
Package quantity	10	Length	32,5 mm
No. of shield clamps	2	Min. shield diam. pos. 2	1,5 mm
Shield clamp type	SKL	Max. shield diam. pos. 2	3 mm
For max. no. of cables	2	Strain relief function	No
Shield diameter	8 - 11 mm 	Width	20 mm
	1,5 - 3 mm	Height	27,9 mm
		For min. wall thickness	1,5 mm
		For max. wall thickness	2 mm



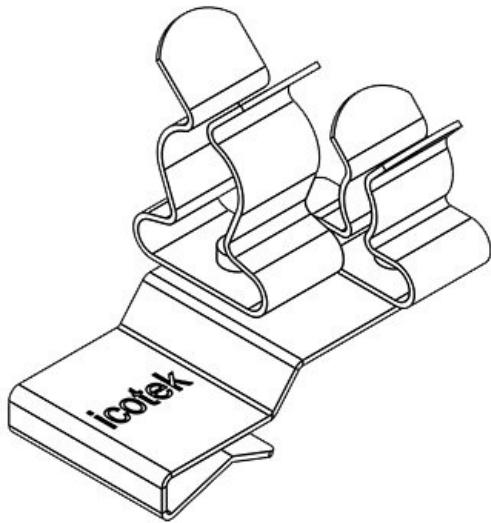


Part No.	36784.41	Min. shield diam. pos. 1	8 mm
EAN	4251269304	Max. shield diam. pos. 1	11 mm
Package quantity	10	Length	32,5 mm
No. of shield clamps	2	Min. shield diam. pos. 2	1,5 mm
Shield clamp type	SKL	Max. shield diam. pos. 2	3 mm
For max. no. of cables	2	Strain relief function	No
Shield diameter	8 - 11 mm 1,5 - 3 mm	Width	20 mm
		Height	27,5 mm
		For min. wall thickness	2 mm
		For max. wall thickness	3 mm

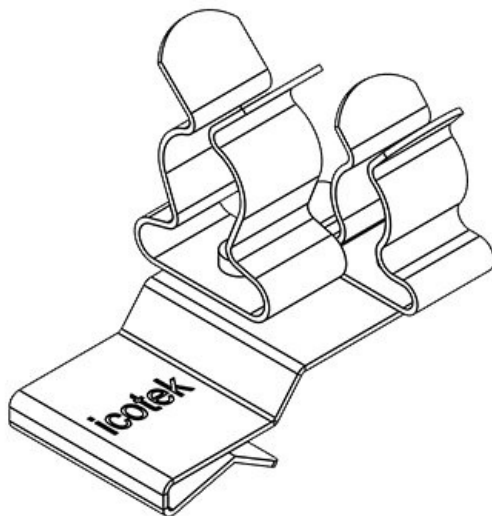


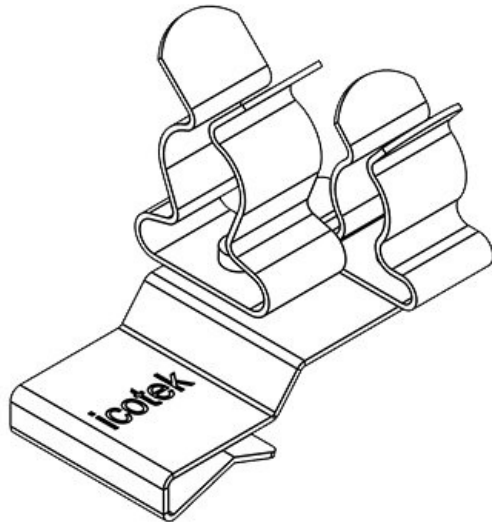
Part No.	36780.42	Min. shield diam. pos. 1	8 mm
EAN	4251269303	Max. shield diam. pos. 1	11 mm
Package quantity	10	Length	32,5 mm
No. of shield clamps	2	Min. shield diam. pos. 2	3 mm
Shield clamp type	SKL	Max. shield diam. pos. 2	6 mm
For max. no. of cables	2	Strain relief function	No
Shield diameter	8 - 11 mm 3 - 6 mm	Width	20 mm
		Height	27,9 mm
		For min. wall thickness	1,5 mm
		For max. wall thickness	2 mm

Part No.	36784.42	Min. shield diam. pos. 1	8 mm
EAN	4251269304	Max. shield diam. pos. 1	11 mm
Package quantity	10	Length	32,5 mm
No. of shield clamps	2	Min. shield diam. pos. 2	3 mm
Shield clamp type	SKL	Max. shield diam. pos. 2	6 mm
For max. no. of cables	2	Strain relief function	No
Shield diameter	8 - 11 mm 3 - 6 mm	Width	20 mm
		Height	27,5 mm
		For min. wall thickness	2 mm
		For max. wall thickness	3 mm



Part No.	36780.43	Min. shield diam. pos. 1	8 mm
EAN	4251269303	Max. shield diam. pos. 1	11 mm
Package quantity	10	Length	32,5 mm
No. of shield clamps	2	Min. shield diam. pos. 2	6 mm
Shield clamp type	SKL	Max. shield diam. pos. 2	8 mm
For max. no. of cables	2	Strain relief function	No
Shield diameter	8 - 11 mm 6 - 8 mm	Width	20 mm
		Height	27,9 mm
		For min. wall thickness	1,5 mm
		For max. wall thickness	2 mm





Part No.	36784.43	Min. shield diam. pos. 1	8 mm
EAN	4251269304064	Max. shield diam. pos. 1	11 mm
Package quantity	10	Length	32,5 mm
No. of shield clamps	2	Min. shield diam. pos. 2	6 mm
Shield clamp type	SKL	Max. shield diam. pos. 2	8 mm
For max. no. of cables	2	Strain relief function	No
Shield diameter	8 - 11 mm 6 - 8 mm	Width	20 mm
		Height	27,5 mm
		For min. wall thickness	2 mm
		For max. wall thickness	3 mm

PFKZ-A-M|MSKL 3-12



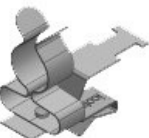
Part No.	37640	For max. no. of cables	1
EAN	4251269316746	Shield diameter	3 - 12 mm
Package quantity	10	Min. shield diam.	3 mm
No. of shield clamps	1	Max. shield diam.	12 mm
Shield clamp type	MSKL	Strain relief function	Yes
Length	38 mm	Width	15 mm
Strain relief (acc. to EN 62444)	1	Height	28,8 mm
		For min. wall thickness	1,5 mm
		For max. wall thickness	2 mm

PFKZ-B-M|MSKL 3-12



Part No.	37650	For max. no. of cables	1
EAN	4251269316760	Shield diameter	3 - 12 mm
Package quantity	10	Min. shield diam.	3 mm
No. of shield clamps	1	Max. shield diam.	12 mm
Shield clamp type	MSKL	Strain relief function	Yes
Length	38 mm	Width	15 mm
Strain relief (acc. to EN 62444)	1	Height	28 mm
		For min. wall thickness	2 mm
		For max. wall thickness	3 mm

PFKZ-A-M|MSKL 8-18



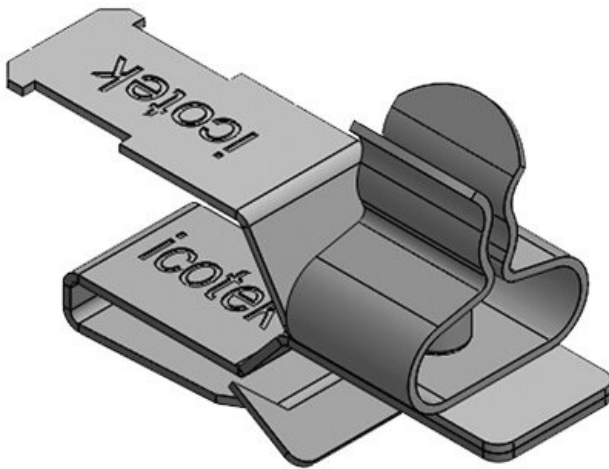
Part No.	37642	For max. no. of cables	1
EAN	4251269316753	Shield diameter	8 - 18 mm
Package quantity	10	Min. shield diam.	8 mm
No. of shield clamps	1	Max. shield diam.	18 mm
Shield clamp type	MSKL	Strain relief function	Yes
Length	38 mm	Width	20 mm
Strain relief (acc. to EN 62444)	1	Height	35 mm
		For min. wall thickness	1,5 mm
		For max. wall thickness	2 mm



Part No.	37652
EAN	4251269316777
Package quantity	10
No. of shield clamps	1
Shield clamp type	MSKL
Length	38 mm
Strain relief (acc. to EN 62444)	1

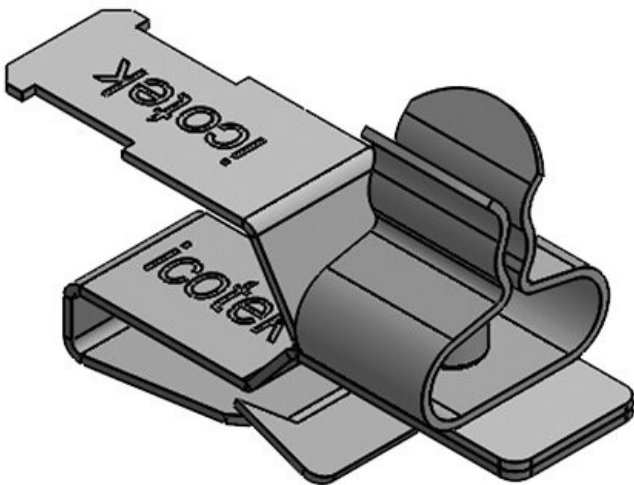
For max. no. of cables	1
Shield diameter	8 - 18 mm
Min. shield diam.	8 mm
Max. shield diam.	18 mm
Strain relief function	Yes
Width	20 mm
Height	35 mm
For min. wall thickness	2 mm
For max. wall thickness	3 mm

PFKZ-A|SKL 1.5-3

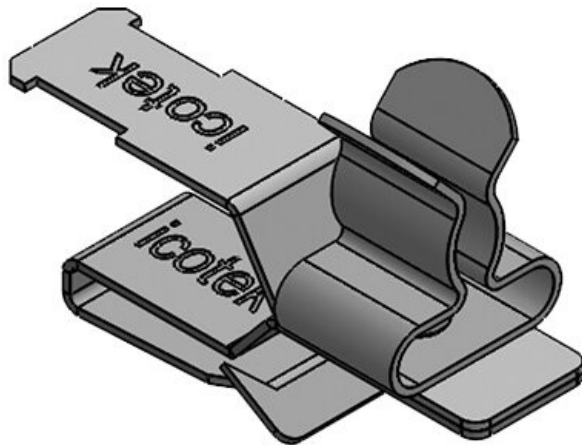


Part No.	36779.1	Width	12 mm
EAN	4251269303265	Strain relief (acc. to EN 62444)	1
Package quantity	10	Shield diameter	1,5 - 3 mm
No. of shield clamps	1	Min. shield diam.	1,5 mm
Shield clamp type	SKL	Max. shield diam.	3 mm
For max. no. of cables	1	Strain relief function	Yes
Length	33 mm	Height	21 mm
		For min. wall thickness	1,5 mm
		For max. wall thickness	2 mm

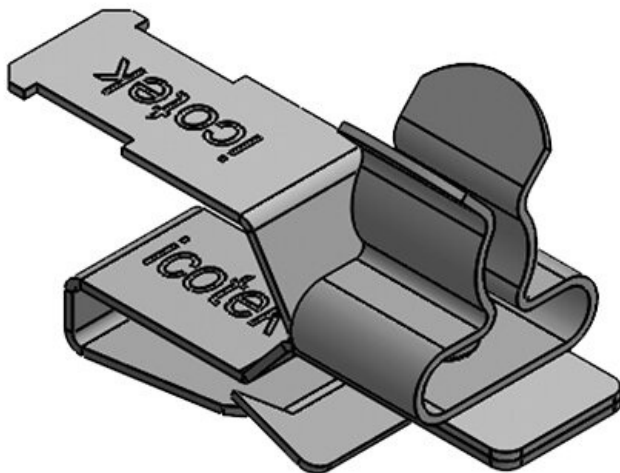
PFKZ-B|SKL 1.5-3



Part No.	36783.1	Width	12 mm
EAN	4251269303807	Strain relief (acc. to EN 62444)	1
Package quantity	10	Shield diameter	1,5 - 3 mm
No. of shield clamps	1	Min. shield diam.	1,5 mm
Shield clamp type	SKL	Max. shield diam.	3 mm
For max. no. of cables	1	Strain relief function	Yes
Length	33 mm	Height	21 mm
		For min. wall thickness	2 mm
		For max. wall thickness	3 mm

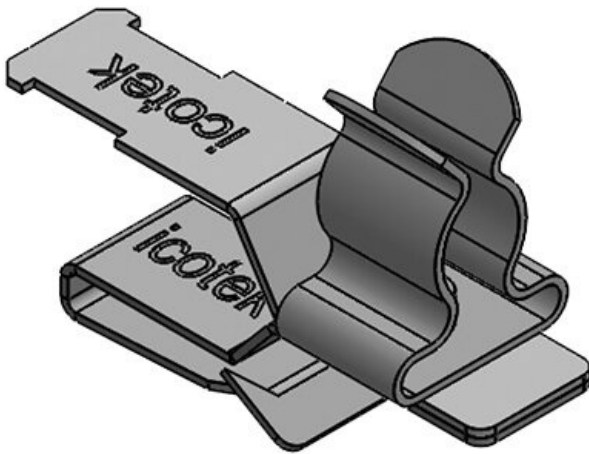


Part No.	36779.2	Width	12 mm
EAN	4251269303	Strain relief	1
	272	(acc. to EN	
Package	10	62444)	
quantity		Shield	3 - 6 mm
No. of shield	1	diameter	
clamps		Min. shield	3 mm
Shield clamp	SKL	diam.	
type		Max. shield	6 mm
For max. no. of	1	diam.	
cables		Strain relief	Yes
Length	33 mm	function	
		Height	20,5 mm
		For min. wall	1,5 mm
		thickness	
		For max. wall	2 mm
		thickness	

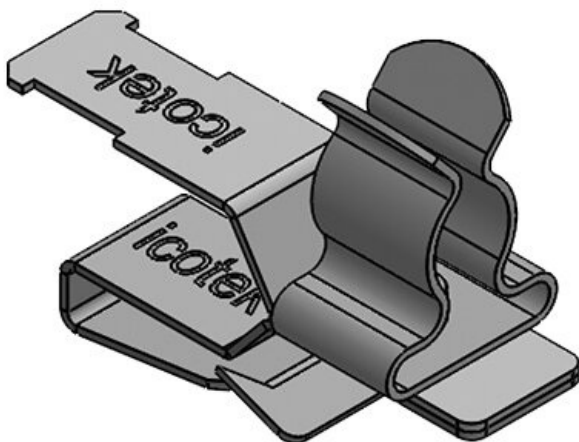


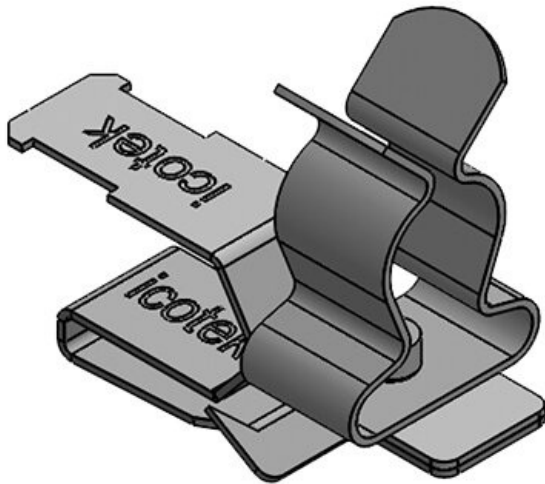
Part No.	36783.2	Width	12 mm
EAN	4251269303	Strain relief	1
	814	(acc. to EN	
Package	10	62444)	
quantity		Shield	3 - 6 mm
No. of shield	1	diameter	
clamps		Min. shield	3 mm
Shield clamp	SKL	diam.	
type		Max. shield	6 mm
For max. no. of	1	diam.	
cables		Strain relief	Yes
Length	33 mm	function	
		Height	21,6 mm
		For min. wall	2 mm
		thickness	
		For max. wall	3 mm
		thickness	

Part No.	36779.3	Width	12 mm
EAN	4251269303	Strain relief	1
	289	(acc. to EN	
Package	10	62444)	
quantity		Shield	6 - 8 mm
No. of shield	1	diameter	
clamps		Min. shield	6 mm
Shield clamp	SKL	diam.	
type		Max. shield	8 mm
For max. no. of	1	diam.	
cables		Strain relief	Yes
Length	33 mm	function	
		Height	22 mm
		For min. wall	1,5 mm
		thickness	
		For max. wall	2 mm
		thickness	

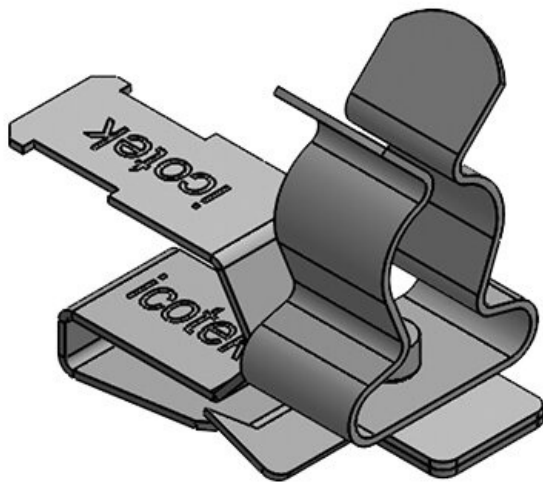


Part No.	36783.3	Width	12 mm
EAN	4251269303	Strain relief	1
	821	(acc. to EN	
Package	10	62444)	
quantity		Shield	6 - 8 mm
No. of shield	1	diameter	
clamps		Min. shield	6 mm
Shield clamp	SKL	diam.	
type		Max. shield	8 mm
For max. no. of	1	diam.	
cables		Strain relief	Yes
Length	33 mm	function	
		Height	23 mm
		For min. wall	2 mm
		thickness	
		For max. wall	3 mm
		thickness	





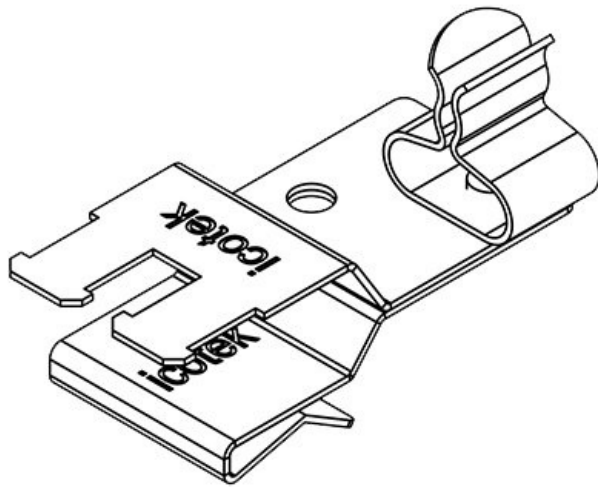
Part No.	36779.4	Width	12 mm
EAN	4251269303	Strain relief	1
	296	(acc. to EN	
Package	10	62444)	
quantity		Shield	8 - 11 mm
No. of shield	1	diameter	
clamps		Min. shield	8 mm
Shield clamp	SKL	diam.	
type		Max. shield	11 mm
For max. no. of	1	diam.	
cables		Strain relief	Yes
Length	33 mm	function	
		Height	27 mm
		For min. wall	1,5 mm
		thickness	
		For max. wall	2 mm
		thickness	



Part No.	36783.4	Width	12 mm
EAN	4251269303	Strain relief	1
	838	(acc. to EN	
Package	10	62444)	
quantity		Shield	8 - 11 mm
No. of shield	1	diameter	
clamps		Min. shield	8 mm
Shield clamp	SKL	diam.	
type		Max. shield	11 mm
For max. no. of	1	diam.	
cables		Strain relief	Yes
Length	33 mm	function	
		Height	28 mm
		For min. wall	2 mm
		thickness	
		For max. wall	3 mm
		thickness	

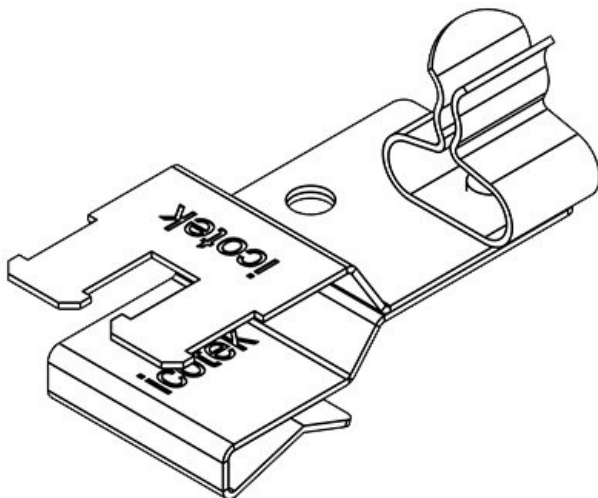
PFKZ2-A|SKL 01

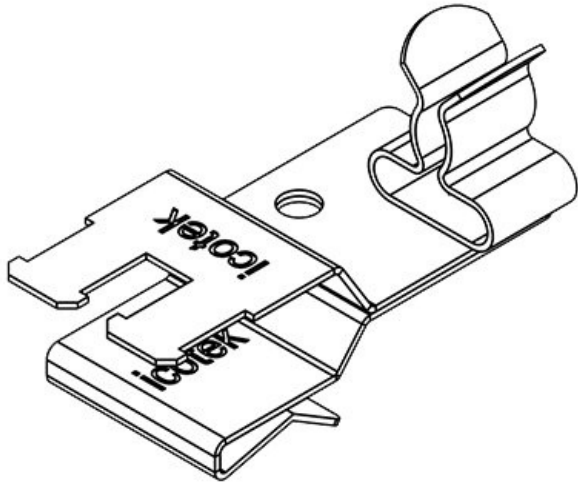
Part No.	36781.01	For max. no. of	1
EAN	4251269303	cables	
	531	Shield	- 1,5 - 3 mm
Package quantity	10	diameter	
Shield clamp type	SKL	Min. shield diam. pos. 2	1,5 mm
Length	37 mm	Max. shield diam. pos. 2	3 mm
Strain relief (acc. to EN 62444)	1	Strain relief function	Yes
No. of shield clamps	1	Width	18 mm
		Height	21,2 mm
		For min. wall thickness	1,5 mm
		For max. wall thickness	2 mm



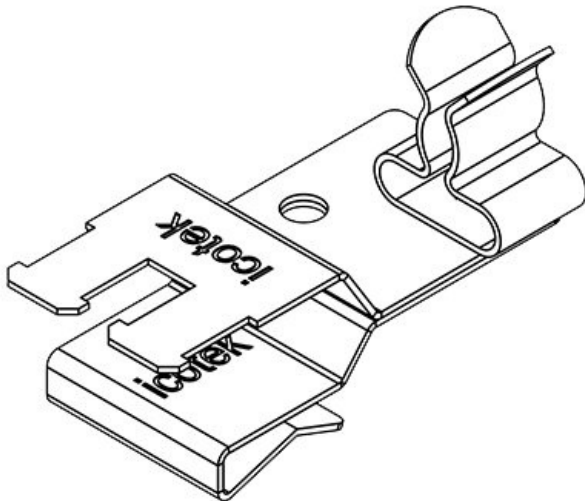
PFKZ2-B|SKL 01

Part No.	36785.01	For max. no. of	1
EAN	4251269304	cables	
	071	Shield	- 1,5 - 3 mm
Package quantity	10	diameter	
Shield clamp type	SKL	Min. shield diam. pos. 2	1,5 mm
Length	37 mm	Max. shield diam. pos. 2	3 mm
Strain relief (acc. to EN 62444)	1	Strain relief function	Yes
No. of shield clamps	1	Width	18 mm
		Height	20,9 mm
		For min. wall thickness	2 mm
		For max. wall thickness	3 mm



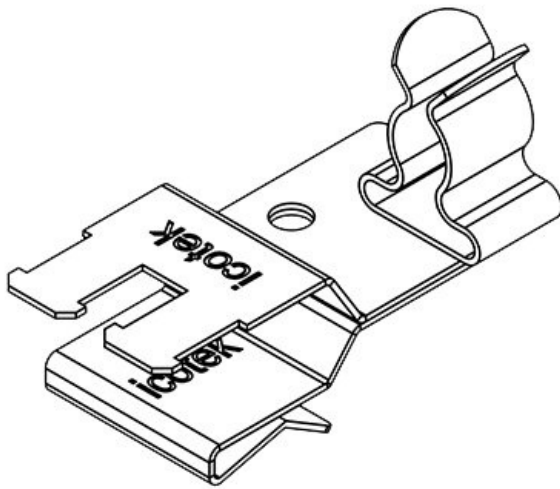


Part No.	36781.02	For max. no. of 1
EAN	4251269303	cables
	548	Shield - 3 - 6 mm
Package quantity	10	diameter
Shield clamp type	SKL	Min. shield diam. pos. 2 3 mm
Length	37 mm	Max. shield diam. pos. 2 6 mm
Strain relief (acc. to EN 62444)	1	Strain relief function Yes
No. of shield clamps	1	Width 18 mm
		Height 22 mm
		For min. wall thickness 1,5 mm
		For max. wall thickness 2 mm

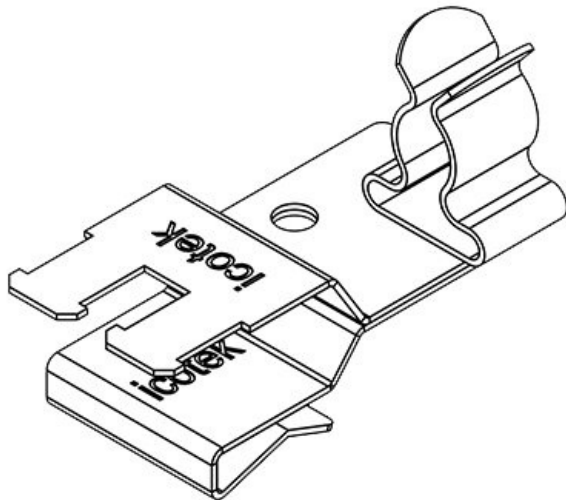


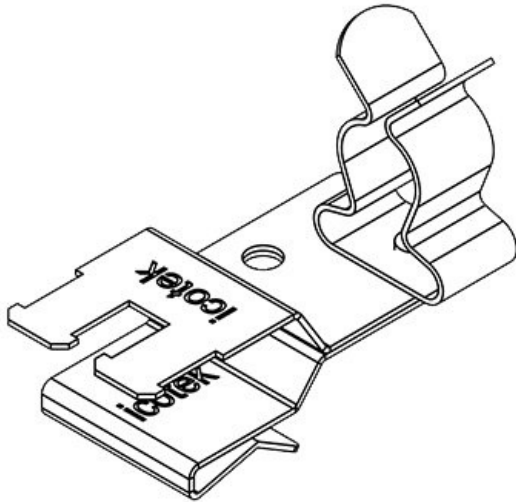
Part No.	36785.02	For max. no. of 1
EAN	4251269304	cables
	088	Shield - 3 - 6 mm
Package quantity	10	diameter
Shield clamp type	SKL	Min. shield diam. pos. 2 3 mm
Length	37 mm	Max. shield diam. pos. 2 6 mm
Strain relief (acc. to EN 62444)	1	Strain relief function Yes
No. of shield clamps	1	Width 18 mm
		Height 21,6 mm
		For min. wall thickness 2 mm
		For max. wall thickness 3 mm

Part No.	36781.03	For max. no. of	1
EAN	4251269303	cables	
	555	Shield	- 6 - 8 mm
Package quantity	10	diameter	
Shield clamp type	SKL	Min. shield diam. pos. 2	6 mm
Length	37 mm	Max. shield diam. pos. 2	8 mm
Strain relief (acc. to EN 62444)	1	Strain relief function	Yes
No. of shield clamps	1	Width	18 mm
		Height	23,4 mm
		For min. wall thickness	1,5 mm
		For max. wall thickness	2 mm

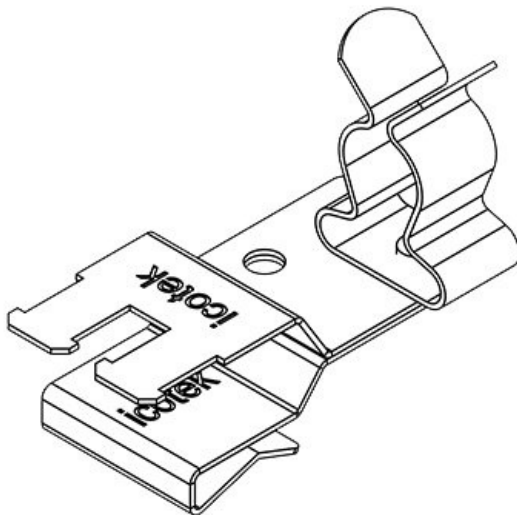


Part No.	36785.03	For max. no. of	1
EAN	4251269304	cables	
	095	Shield	- 6 - 8 mm
Package quantity	10	diameter	
Shield clamp type	SKL	Min. shield diam. pos. 2	6 mm
Length	37 mm	Max. shield diam. pos. 2	8 mm
Strain relief (acc. to EN 62444)	1	Strain relief function	Yes
No. of shield clamps	1	Width	18 mm
		Height	23 mm
		For min. wall thickness	2 mm
		For max. wall thickness	3 mm



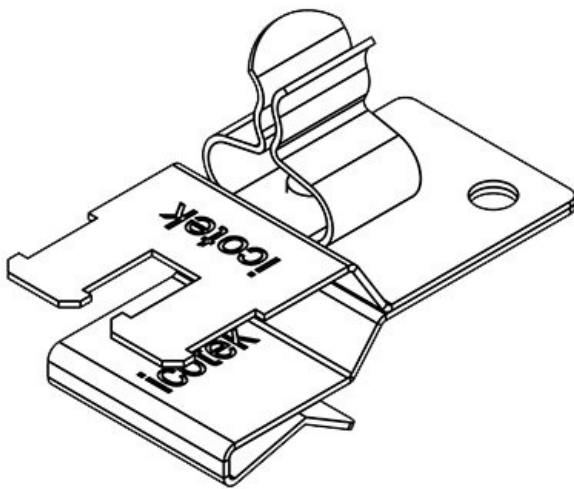


Part No.	36781.04	For max. no. of 1
EAN	4251269303	cables
	562	Shield - 8 - 11 mm
Package quantity	10	diameter
Shield clamp type	SKL	Min. shield diam. pos. 2 8 mm
Length	37 mm	Max. shield diam. pos. 2 11 mm
Strain relief (acc. to EN 62444)	1	Strain relief function Yes
No. of shield clamps	1	Width 18 mm
		Height 28,4 mm
		For min. wall thickness 1,5 mm
		For max. wall thickness 2 mm

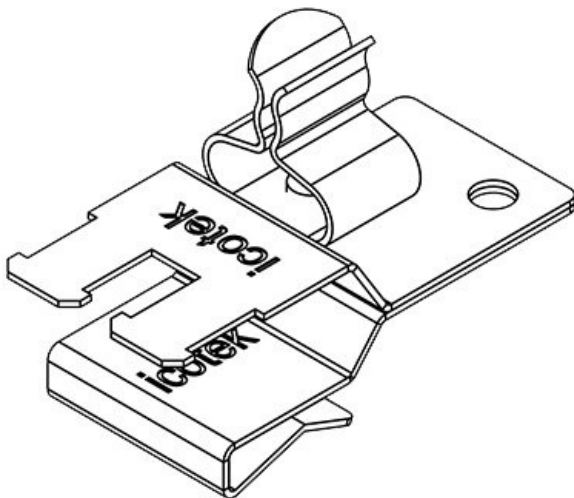


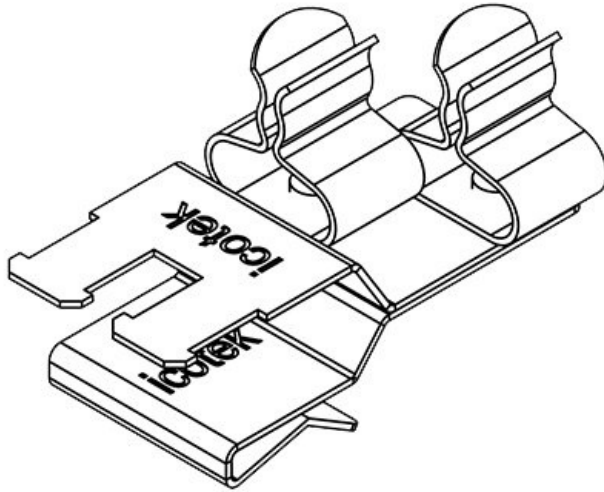
Part No.	36785.04	For max. no. of 1
EAN	4251269304	cables
	101	Shield - 8 - 11 mm
Package quantity	10	diameter
Shield clamp type	SKL	Min. shield diam. pos. 2 8 mm
Length	37 mm	Max. shield diam. pos. 2 11 mm
Strain relief (acc. to EN 62444)	1	Strain relief function Yes
No. of shield clamps	1	Width 18 mm
		Height 28 mm
		For min. wall thickness 2 mm
		For max. wall thickness 3 mm

Part No.	36781.10	For max. no. of	1
EAN	4251269303	cables	
	579	Shield	1,5 - 3 mm -
Package	10	diameter	
quantity		Min. shield	1,5 mm
Shield clamp	SKL	diam. pos. 1	
type		Max. shield	3 mm
Length	37 mm	diam. pos. 1	
Strain relief	1	Strain relief	Yes
(acc. to EN		function	
62444)		Width	18 mm
No. of shield	1	Height	21,2 mm
clamps		For min. wall	1,5 mm
		thickness	
		For max. wall	2 mm
		thickness	

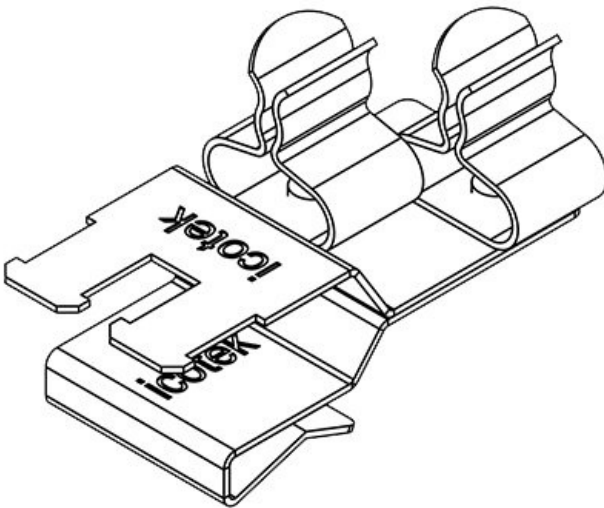


Part No.	36785.10	For max. no. of	1
EAN	4251269304	cables	
	118	Shield	1,5 - 3 mm -
Package	10	diameter	
quantity		Min. shield	1,5 mm
Shield clamp	SKL	diam. pos. 1	
type		Max. shield	3 mm
Length	37 mm	diam. pos. 1	
Strain relief	1	Strain relief	Yes
(acc. to EN		function	
62444)		Width	18 mm
No. of shield	1	Height	20,9 mm
clamps		For min. wall	2 mm
		thickness	
		For max. wall	3 mm
		thickness	



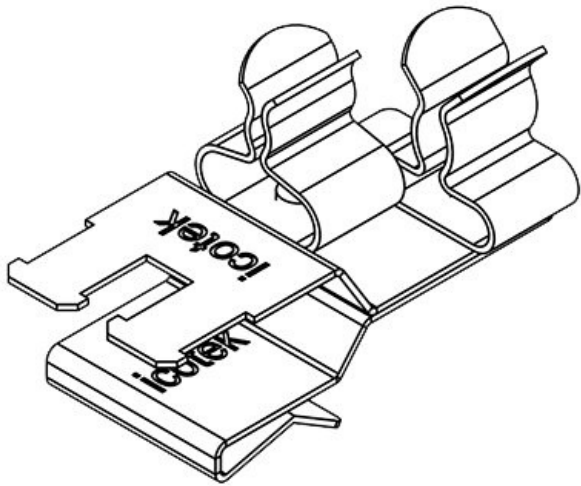


Part No.	36781.11	For max. no. of 2
EAN	4251269303	cables
Package quantity	586	Shield diameter
Shield clamp type	10	1,5 - 3 mm
Length	SKL	Min. shield diam. pos. 1
Strain relief (acc. to EN 62444)	37 mm	1,5 mm
No. of shield clamps	1	Max. shield diam. pos. 1
		3 mm
		Min. shield diam. pos. 2
		1,5 mm
		Max. shield diam. pos. 2
		3 mm
		Strain relief function
		Yes
		Width
		20 mm
		Height
		21,2 mm
		For min. wall thickness
		1,5 mm
		For max. wall thickness
		2 mm

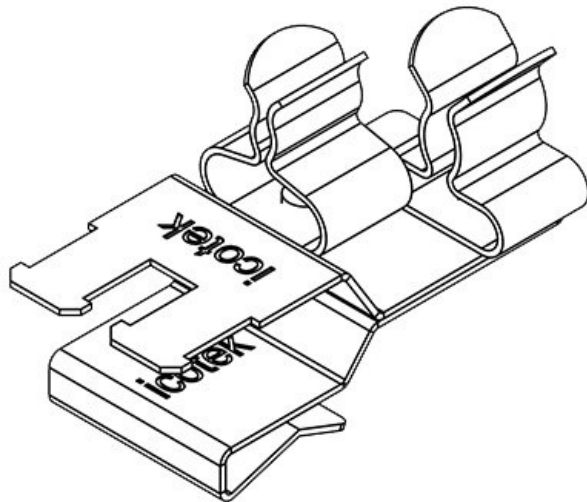


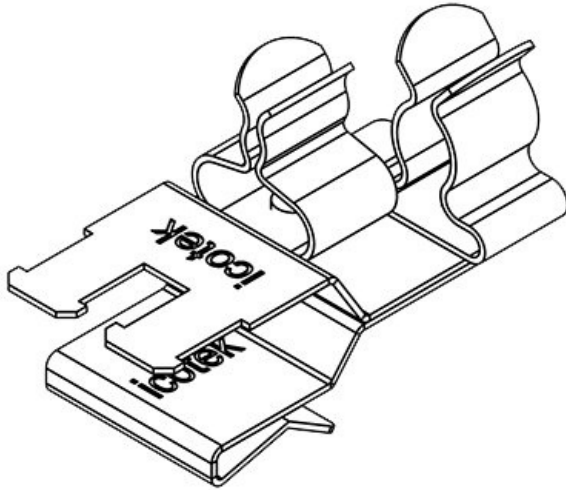
Part No.	36785.11	For max. no. of 2
EAN	4251269304	cables
Package quantity	125	Shield diameter
Shield clamp type	10	1,5 - 3 mm
Length	SKL	Min. shield diam. pos. 1
Strain relief (acc. to EN 62444)	37 mm	1,5 mm
No. of shield clamps	1	Max. shield diam. pos. 1
		3 mm
		Min. shield diam. pos. 2
		1,5 mm
		Max. shield diam. pos. 2
		3 mm
		Strain relief function
		Yes
		Width
		20 mm
		Height
		20,9 mm
		For min. wall thickness
		2 mm
		For max. wall thickness
		3 mm

Part No.	36781.12	For max. no. of	2
EAN	4251269303	cables	
	593	Shield	1,5 - 3 mm
Package	10	diameter	3 - 6 mm
quantity		Min. shield	1,5 mm
Shield clamp	SKL	diam. pos. 1	
type		Max. shield	3 mm
Length	37 mm	diam. pos. 1	
Strain relief	1	Min. shield	3 mm
(acc. to EN		diam. pos. 2	
62444)		Max. shield	6 mm
No. of shield	2	diam. pos. 2	
clamps		Strain relief	Yes
		function	
		Width	20 mm
		Height	22 mm
		For min. wall	1,5 mm
		thickness	
		For max. wall	2 mm
		thickness	

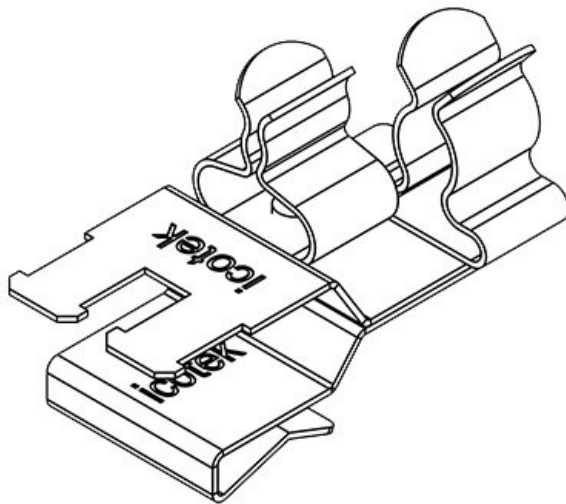


Part No.	36785.12	For max. no. of	2
EAN	4251269304	cables	
	132	Shield	1,5 - 3 mm
Package	10	diameter	3 - 6 mm
quantity		Min. shield	1,5 mm
Shield clamp	SKL	diam. pos. 1	
type		Max. shield	3 mm
Length	37 mm	diam. pos. 1	
Strain relief	1	Min. shield	3 mm
(acc. to EN		diam. pos. 2	
62444)		Max. shield	6 mm
No. of shield	2	diam. pos. 2	
clamps		Strain relief	Yes
		function	
		Width	20 mm
		Height	21,6 mm
		For min. wall	2 mm
		thickness	
		For max. wall	3 mm
		thickness	



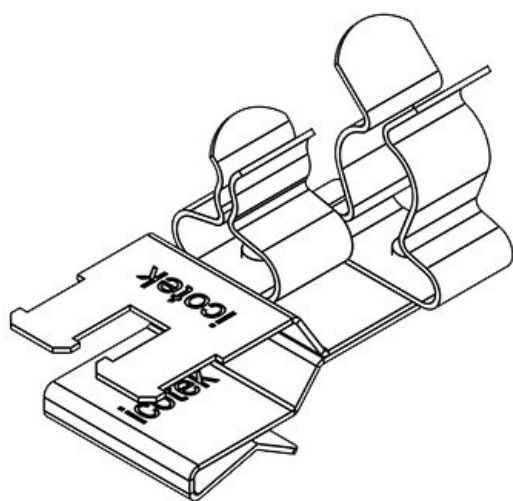


Part No.	36781.13	For max. no. of 2
EAN	4251269303	cables
Package quantity	609	Shield diameter 1,5 - 3 mm
Shield clamp type	SKL	Min. shield diameter pos. 1 6 - 8 mm
Length	37 mm	Min. shield diameter pos. 2 1,5 mm
Strain relief (acc. to EN 62444)	1	Max. shield diameter pos. 1 3 mm
No. of shield clamps	2	Min. shield diameter pos. 2 6 mm
		Max. shield diameter pos. 2 8 mm
		Strain relief function Yes
		Width 20 mm
		Height 23,4 mm
		For min. wall thickness 1,5 mm
		For max. wall thickness 2 mm

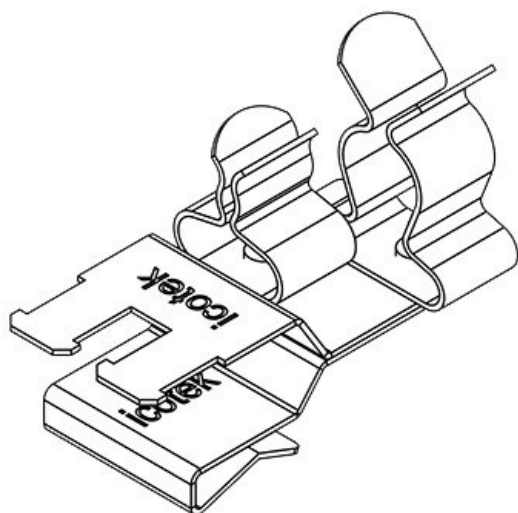


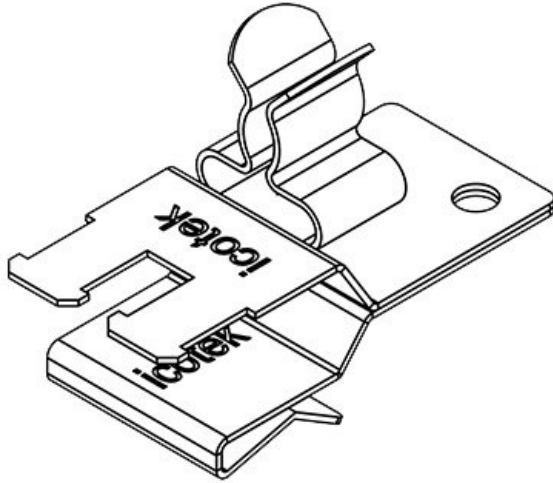
Part No.	36785.13	For max. no. of 2
EAN	4251269304	cables
Package quantity	149	Shield diameter 1,5 - 3 mm
Shield clamp type	SKL	Min. shield diameter pos. 1 6 - 8 mm
Length	37 mm	Min. shield diameter pos. 2 1,5 mm
Strain relief (acc. to EN 62444)	1	Max. shield diameter pos. 1 3 mm
No. of shield clamps	2	Min. shield diameter pos. 2 6 mm
		Max. shield diameter pos. 2 8 mm
		Strain relief function Yes
		Width 20 mm
		Height 23 mm
		For min. wall thickness 2 mm
		For max. wall thickness 3 mm

Part No.	36781.14	For max. no. of	2
EAN	4251269303	cables	
	616	Shield diameter	1,5 - 3 mm 8 - 11 mm
Package quantity	10	Min. shield diam. pos. 1	1,5 mm
Shield clamp type	SKL	Max. shield diam. pos. 1	3 mm
Length	37 mm	Min. shield diam. pos. 2	8 mm
Strain relief (acc. to EN 62444)	1	Max. shield diam. pos. 2	11 mm
No. of shield clamps	2	Strain relief function	Yes
		Width	20 mm
		Height	28,4 mm
		For min. wall thickness	1,5 mm
		For max. wall thickness	2 mm

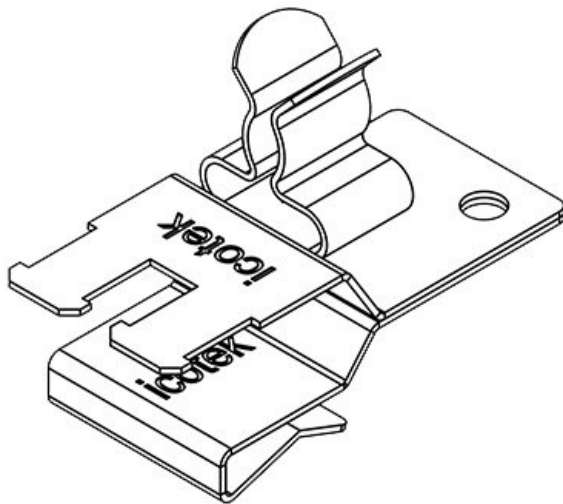


Part No.	36785.14	For max. no. of	2
EAN	4251269304	cables	
	156	Shield diameter	1,5 - 3 mm 8 - 11 mm
Package quantity	10	Min. shield diam. pos. 1	1,5 mm
Shield clamp type	SKL	Max. shield diam. pos. 1	3 mm
Length	37 mm	Min. shield diam. pos. 2	8 mm
Strain relief (acc. to EN 62444)	1	Max. shield diam. pos. 2	11 mm
No. of shield clamps	2	Strain relief function	Yes
		Width	20 mm
		Height	28 mm
		For min. wall thickness	2 mm
		For max. wall thickness	3 mm



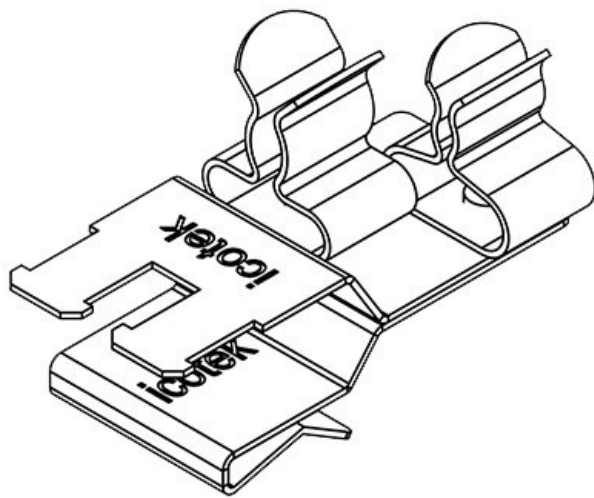


Part No.	36781.20	For max. no. of 1
EAN	4251269303	cables
	623	Shield 3 - 6 mm -
Package quantity	10	diameter
Shield clamp type	SKL	Min. shield 3 mm
Length	37 mm	diam. pos. 1
Strain relief (acc. to EN 62444)	1	Max. shield 6 mm
No. of shield clamps	1	diam. pos. 1
		Strain relief Yes
		function
		Width 18 mm
		Height 22 mm
		For min. wall 1,5 mm
		thickness
		For max. wall 2 mm
		thickness

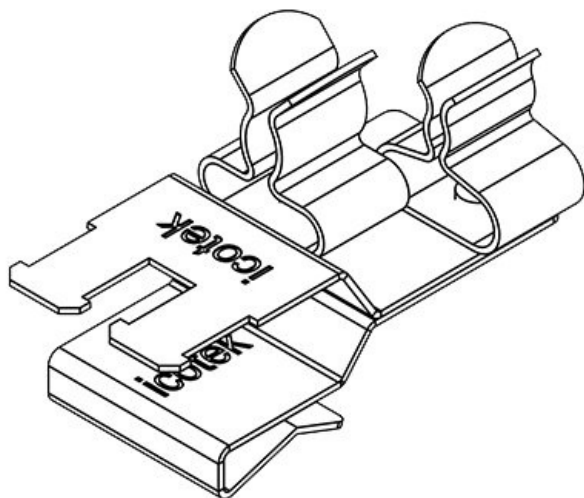


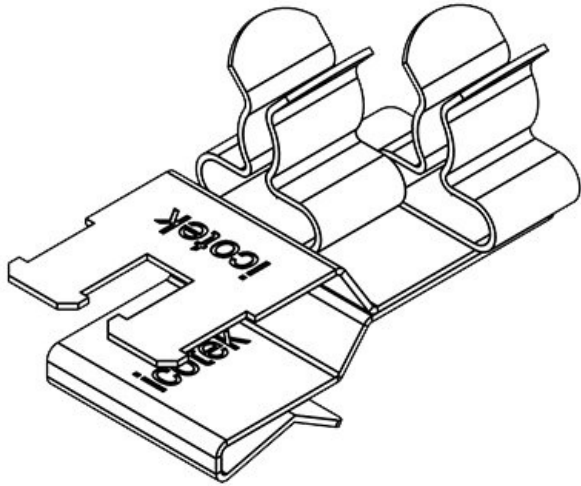
Part No.	36785.20	For max. no. of 1
EAN	4251269304	cables
	163	Shield 3 - 6 mm -
Package quantity	10	diameter
Shield clamp type	SKL	Min. shield 3 mm
Length	37 mm	diam. pos. 1
Strain relief (acc. to EN 62444)	1	Max. shield 6 mm
No. of shield clamps	1	diam. pos. 1
		Strain relief Yes
		function
		Width 18 mm
		Height 21,6 mm
		For min. wall 2 mm
		thickness
		For max. wall 3 mm
		thickness

Part No.	36781.21	For max. no. of	2
EAN	4251269303	cables	
	630	Shield	3 - 6 mm
Package	10	diameter	1,5 - 3 mm
quantity		Min. shield	3 mm
Shield clamp	SKL	diam. pos. 1	
type		Max. shield	6 mm
Length	37 mm	diam. pos. 1	
Strain relief	1	Min. shield	1,5 mm
(acc. to EN		diam. pos. 2	
62444)		Max. shield	3 mm
No. of shield	2	diam. pos. 2	
clamps		Strain relief	Yes
		function	
		Width	20 mm
		Height	22 mm
		For min. wall	1,5 mm
		thickness	
		For max. wall	2 mm
		thickness	

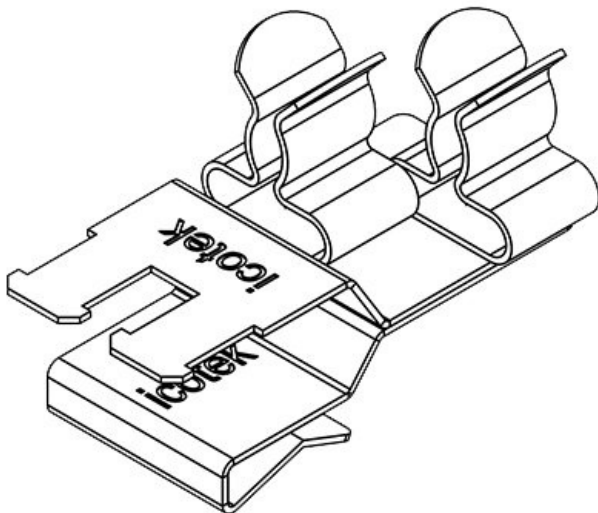


Part No.	36785.21	For max. no. of	2
EAN	4251269304	cables	
	170	Shield	3 - 6 mm
Package	10	diameter	1,5 - 3 mm
quantity		Min. shield	3 mm
Shield clamp	SKL	diam. pos. 1	
type		Max. shield	6 mm
Length	37 mm	diam. pos. 1	
Strain relief	1	Min. shield	1,5 mm
(acc. to EN		diam. pos. 2	
62444)		Max. shield	3 mm
No. of shield	2	diam. pos. 2	
clamps		Strain relief	Yes
		function	
		Width	20 mm
		Height	21,6 mm
		For min. wall	2 mm
		thickness	
		For max. wall	3 mm
		thickness	



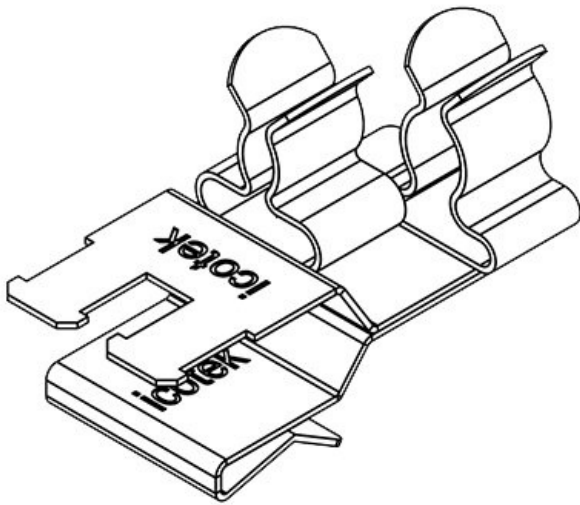


Part No.	36781.22	For max. no. of 2
EAN	4251269303	cables
	647	Shield
Package quantity	10	diameter
Shield clamp type	SKL	Min. shield diam. pos. 1
Length	37 mm	Max. shield diam. pos. 1
Strain relief (acc. to EN 62444)	1	Min. shield diam. pos. 2
No. of shield clamps	2	Max. shield diam. pos. 2
		Strain relief function
		Width
		Height
		For min. wall thickness
		For max. wall thickness

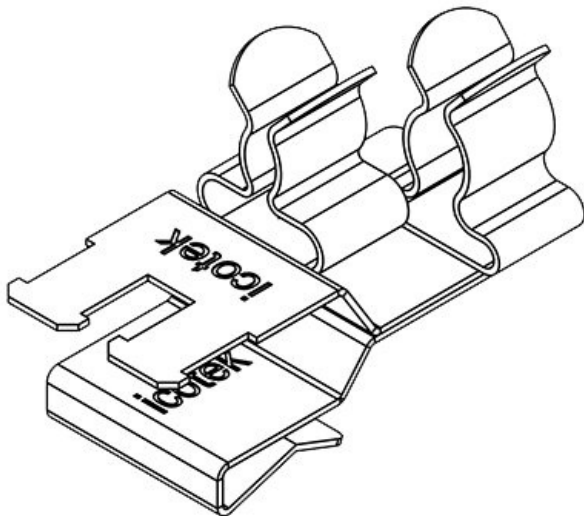


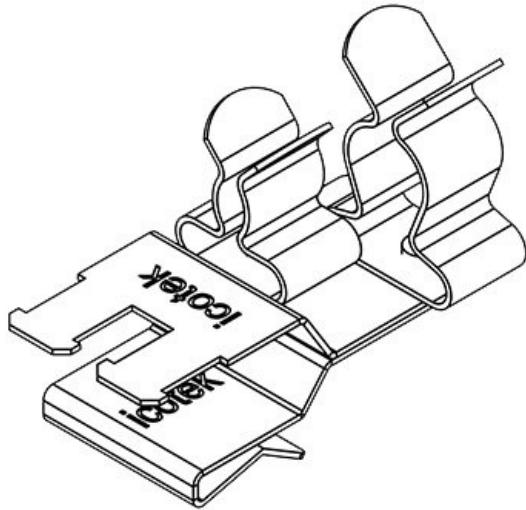
Part No.	36785.22	For max. no. of 2
EAN	4251269304	cables
	187	Shield
Package quantity	10	diameter
Shield clamp type	SKL	Min. shield diam. pos. 1
Length	37 mm	Max. shield diam. pos. 1
Strain relief (acc. to EN 62444)	1	Min. shield diam. pos. 2
No. of shield clamps	2	Max. shield diam. pos. 2
		Strain relief function
		Width
		Height
		For min. wall thickness
		For max. wall thickness

Part No.	36781.23	For max. no. of 2
EAN	4251269303	cables
	654	Shield
Package	10	diameter
quantity		Min. shield
Shield clamp	SKL	diam. pos. 1
type		Max. shield
Length	37 mm	diam. pos. 1
Strain relief	1	Min. shield
(acc. to EN		diam. pos. 2
62444)		Max. shield
No. of shield	2	diam. pos. 2
clamps		Strain relief
		function
		Width
		Height
		For min. wall
		thickness
		For max. wall
		thickness

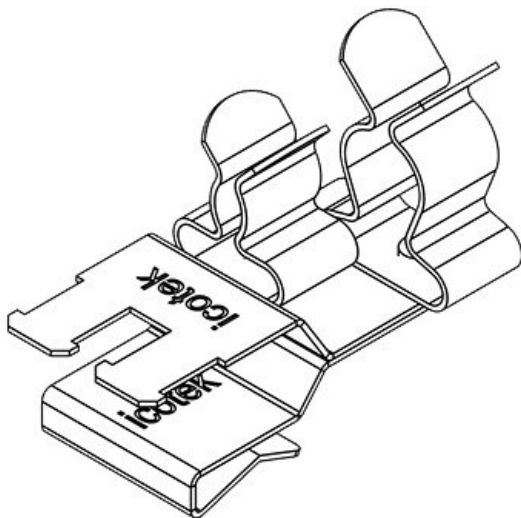


Part No.	36785.23	For max. no. of 2
EAN	4251269304	cables
	194	Shield
Package	10	diameter
quantity		Min. shield
Shield clamp	SKL	diam. pos. 1
type		Max. shield
Length	37 mm	diam. pos. 1
Strain relief	1	Min. shield
(acc. to EN		diam. pos. 2
62444)		Max. shield
No. of shield	2	diam. pos. 2
clamps		Strain relief
		function
		Width
		Height
		For min. wall
		thickness
		For max. wall
		thickness



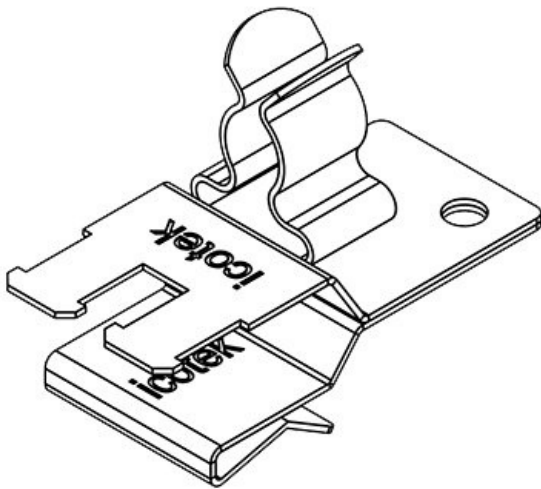


Part No.	36781.24	For max. no. of 2
EAN	4251269303	cables
	661	Shield diameter 3 - 6 mm 8 - 11 mm
Package quantity	10	Min. shield diam. pos. 1 3 mm
Shield clamp type	SKL	Max. shield diam. pos. 1 6 mm
Length	37 mm	Min. shield diam. pos. 2 8 mm
Strain relief (acc. to EN 62444)	1	Max. shield diam. pos. 2 11 mm
No. of shield clamps	2	Strain relief function Yes
		Width 20 mm
		Height 28,4 mm
		For min. wall thickness 1,5 mm
		For max. wall thickness 2 mm

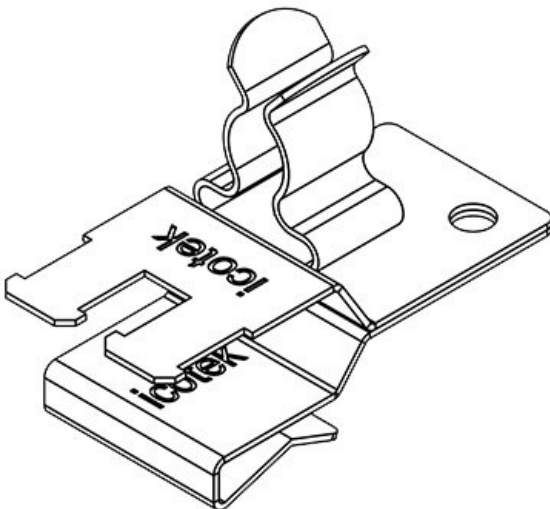


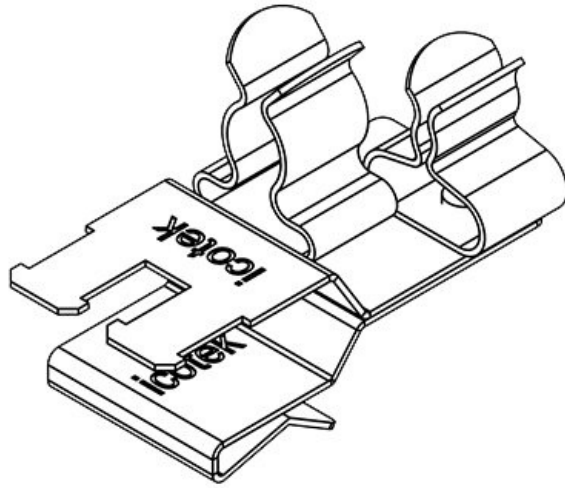
Part No.	36785.24	For max. no. of 2
EAN	4251269304	cables
	200	Shield diameter 3 - 6 mm 8 - 11 mm
Package quantity	10	Min. shield diam. pos. 1 3 mm
Shield clamp type	SKL	Max. shield diam. pos. 1 6 mm
Length	37 mm	Min. shield diam. pos. 2 8 mm
Strain relief (acc. to EN 62444)	1	Max. shield diam. pos. 2 11 mm
No. of shield clamps	2	Strain relief function Yes
		Width 20 mm
		Height 28 mm
		For min. wall thickness 2 mm
		For max. wall thickness 3 mm

Part No.	36781.30	For max. no. of	1
EAN	4251269303	cables	
	678	Shield diameter	6 - 8 mm -
Package quantity	10	Min. shield diam. pos. 1	6 mm
Shield clamp type	SKL	Max. shield diam. pos. 1	8 mm
Length	37 mm	Strain relief function	Yes
Strain relief (acc. to EN 62444)	1	Width	18 mm
No. of shield clamps	1	Height	23,4 mm
		For min. wall thickness	1,5 mm
		For max. wall thickness	2 mm

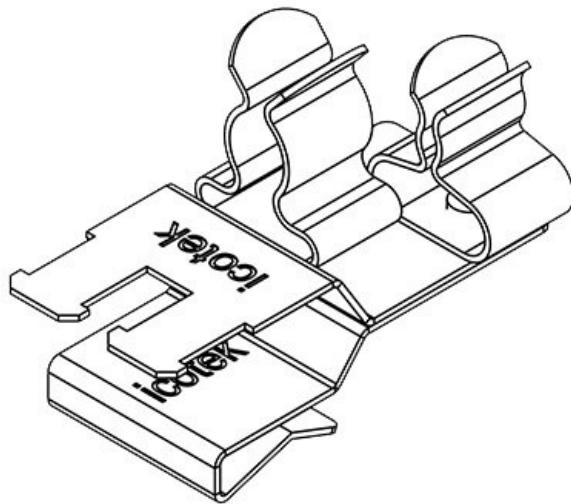


Part No.	36785.30	For max. no. of	1
EAN	4251269304	cables	
	217	Shield diameter	6 - 8 mm -
Package quantity	10	Min. shield diam. pos. 1	6 mm
Shield clamp type	SKL	Max. shield diam. pos. 1	8 mm
Length	37 mm	Strain relief function	Yes
Strain relief (acc. to EN 62444)	1	Width	18 mm
No. of shield clamps	1	Height	23 mm
		For min. wall thickness	2 mm
		For max. wall thickness	3 mm



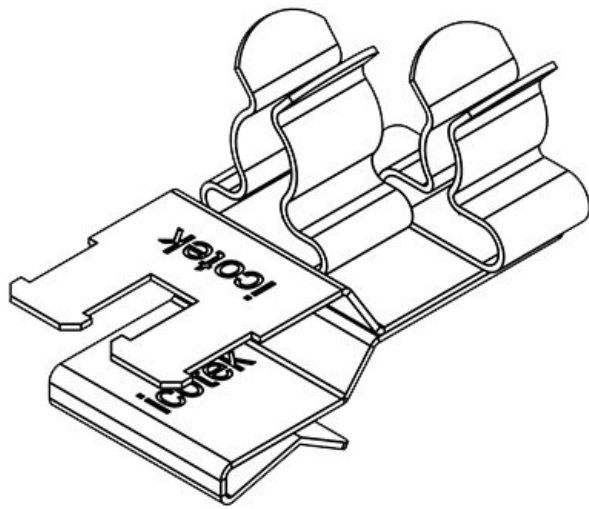


Part No.	36781.31	For max. no. of 2
EAN	4251269303	cables
	685	Shield diameter
Package quantity	10	Min. shield diam. pos. 1
Shield clamp type	SKL	Max. shield diam. pos. 1
Length	37 mm	Min. shield diam. pos. 2
Strain relief (acc. to EN 62444)	1	Max. shield diam. pos. 2
No. of shield clamps	2	Strain relief function
		Width
		Height
		For min. wall thickness
		For max. wall thickness

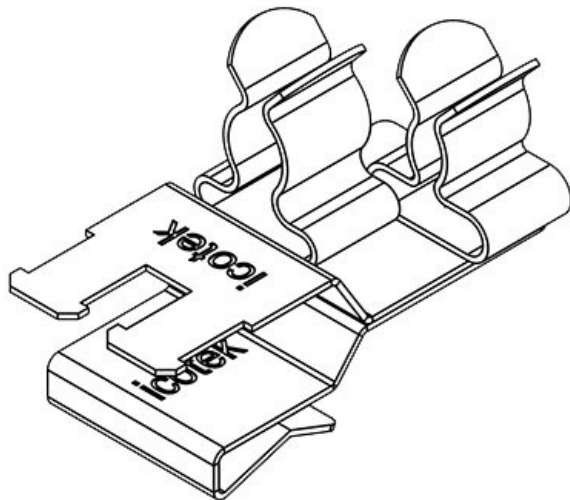


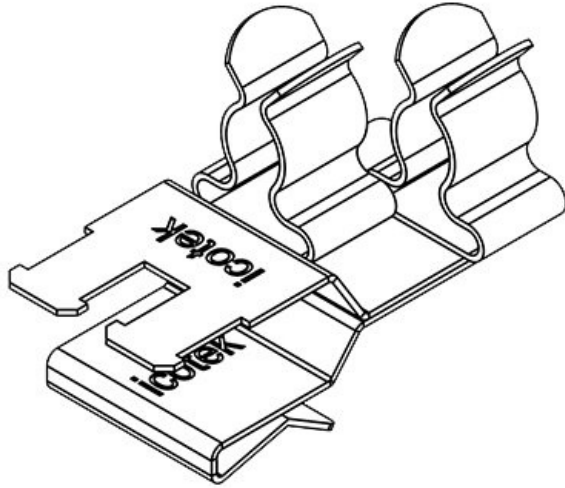
Part No.	36785.31	For max. no. of 2
EAN	4251269304	cables
	224	Shield diameter
Package quantity	10	Min. shield diam. pos. 1
Shield clamp type	SKL	Max. shield diam. pos. 1
Length	37 mm	Min. shield diam. pos. 2
Strain relief (acc. to EN 62444)	1	Max. shield diam. pos. 2
No. of shield clamps	2	Strain relief function
		Width
		Height
		For min. wall thickness
		For max. wall thickness

Part No.	36781.32	For max. no. of 2	
EAN	4251269303	cables	
	692	Shield	
Package quantity	10	diameter	6 - 8 mm 3 - 6 mm
Shield clamp type	SKL	Min. shield diam. pos. 1	6 mm
Length	37 mm	Max. shield diam. pos. 1	8 mm
Strain relief (acc. to EN 62444)	1	Min. shield diam. pos. 2	3 mm
No. of shield clamps	2	Max. shield diam. pos. 2	6 mm
		Strain relief function	Yes
		Width	20 mm
		Height	23,4 mm
		For min. wall thickness	1,5 mm
		For max. wall thickness	2 mm

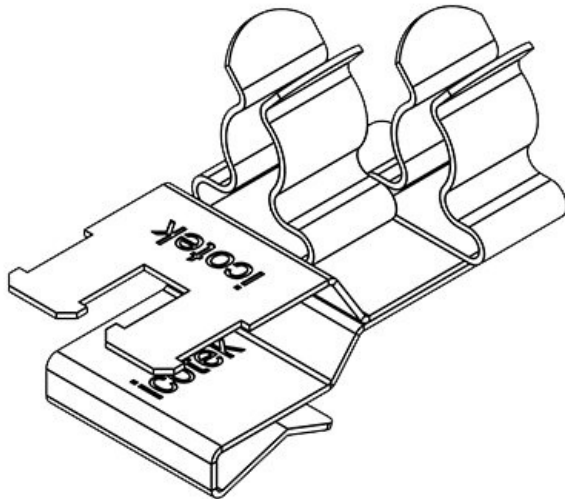


Part No.	36785.32	For max. no. of 2	
EAN	4251269304	cables	
	231	Shield	
Package quantity	10	diameter	6 - 8 mm 3 - 6 mm
Shield clamp type	SKL	Min. shield diam. pos. 1	6 mm
Length	37 mm	Max. shield diam. pos. 1	8 mm
Strain relief (acc. to EN 62444)	1	Min. shield diam. pos. 2	3 mm
No. of shield clamps	2	Max. shield diam. pos. 2	6 mm
		Strain relief function	Yes
		Width	20 mm
		Height	23 mm
		For min. wall thickness	2 mm
		For max. wall thickness	3 mm



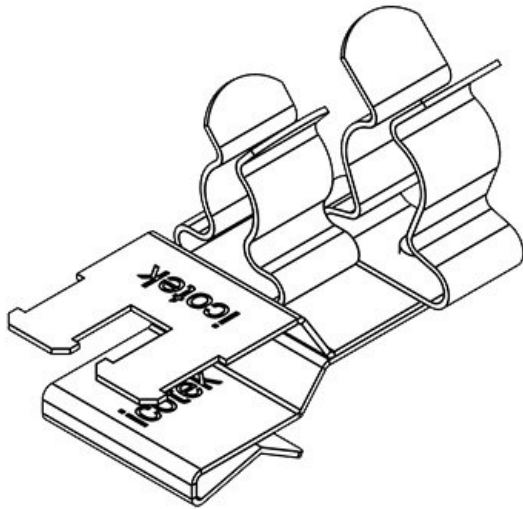


Part No.	36781.33	For max. no. of 2
EAN	4251269303	cables
Package quantity	708	Shield diameter 6 - 8 mm 6 - 8 mm
Shield clamp type	SKL	Min. shield diam. pos. 1 6 mm
Length	37 mm	Max. shield diam. pos. 1 8 mm
Strain relief (acc. to EN 62444)	1	Min. shield diam. pos. 2 6 mm
No. of shield clamps	2	Max. shield diam. pos. 2 8 mm
		Strain relief function Yes
		Width 20 mm
		Height 23,4 mm
		For min. wall thickness 1,5 mm
		For max. wall thickness 2 mm

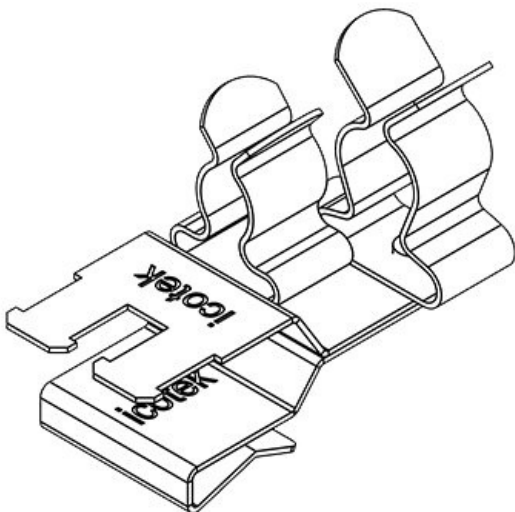


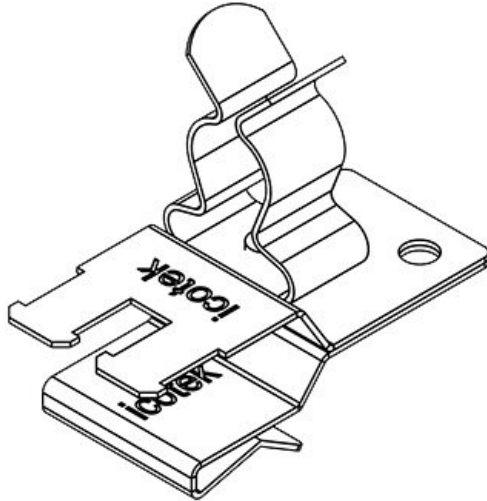
Part No.	36785.33	For max. no. of 2
EAN	4251269304	cables
Package quantity	248	Shield diameter 6 - 8 mm 6 - 8 mm
Shield clamp type	SKL	Min. shield diam. pos. 1 6 mm
Length	37 mm	Max. shield diam. pos. 1 8 mm
Strain relief (acc. to EN 62444)	1	Min. shield diam. pos. 2 6 mm
No. of shield clamps	2	Max. shield diam. pos. 2 8 mm
		Strain relief function Yes
		Width 20 mm
		Height 23 mm
		For min. wall thickness 2 mm
		For max. wall thickness 3 mm

Part No.	36781.34	For max. no. of	2
EAN	4251269303	cables	
	715	Shield	6 - 8 mm 8 -
Package	10	diameter	11 mm
quantity		Min. shield	6 mm
Shield clamp	SKL	diam. pos. 1	
type		Max. shield	8 mm
Length	37 mm	diam. pos. 1	
Strain relief	1	Min. shield	8 mm
(acc. to EN		diam. pos. 2	
62444)		Max. shield	11 mm
No. of shield	2	diam. pos. 2	
clamps		Strain relief	Yes
		function	
		Width	20 mm
		Height	28,4 mm
		For min. wall	1,5 mm
		thickness	
		For max. wall	2 mm
		thickness	

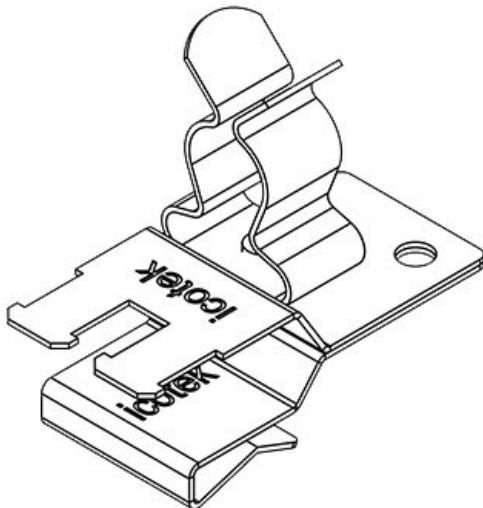


Part No.	36785.34	For max. no. of	2
EAN	4251269304	cables	
	255	Shield	6 - 8 mm 8 -
Package	10	diameter	11 mm
quantity		Min. shield	6 mm
Shield clamp	SKL	diam. pos. 1	
type		Max. shield	8 mm
Length	37 mm	diam. pos. 1	
Strain relief	1	Min. shield	8 mm
(acc. to EN		diam. pos. 2	
62444)		Max. shield	11 mm
No. of shield	2	diam. pos. 2	
clamps		Strain relief	Yes
		function	
		Width	20 mm
		Height	28 mm
		For min. wall	2 mm
		thickness	
		For max. wall	3 mm
		thickness	



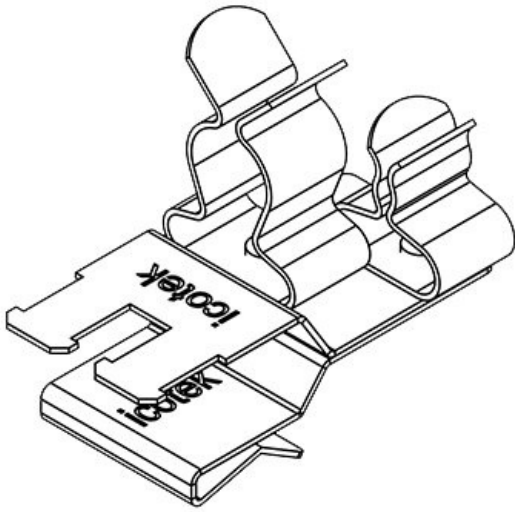


Part No.	36781.40	For max. no. of 1
EAN	4251269303	cables
	722	Shield diameter 8 - 11 mm -
Package quantity	10	Min. shield diam. pos. 1 8 mm
Shield clamp type	SKL	Max. shield diam. pos. 1 11 mm
Length	37 mm	Strain relief function Yes
Strain relief (acc. to EN 62444)	1	Width 18 mm
No. of shield clamps	1	Height 28,4 mm
		For min. wall thickness 1,5 mm
		For max. wall thickness 2 mm

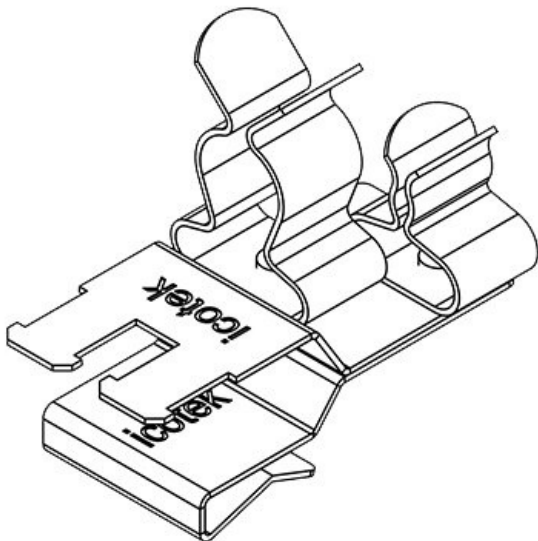


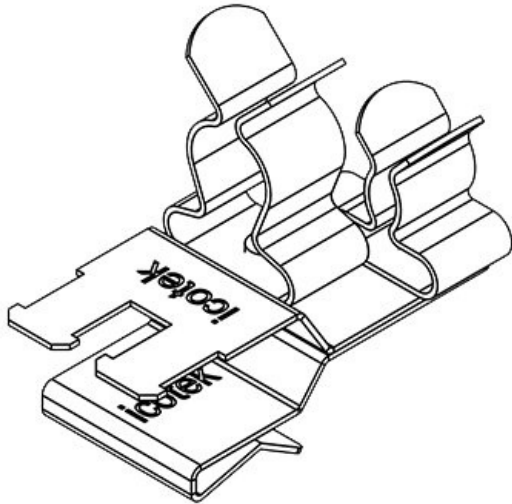
Part No.	36785.40	For max. no. of 1
EAN	4251269304	cables
	262	Shield diameter 8 - 11 mm -
Package quantity	10	Min. shield diam. pos. 1 8 mm
Shield clamp type	SKL	Max. shield diam. pos. 1 11 mm
Length	37 mm	Strain relief function Yes
Strain relief (acc. to EN 62444)	1	Width 18 mm
No. of shield clamps	1	Height 28 mm
		For min. wall thickness 2 mm
		For max. wall thickness 3 mm

Part No.	36781.41	For max. no. of 2	
EAN	4251269303	cables	
	739	Shield	
		diameter	8 - 11 mm
Package quantity	10	Min. shield	1,5 - 3 mm
Shield clamp type	SKL	diam. pos. 1	8 mm
		Max. shield	11 mm
Length	37 mm	diam. pos. 1	
Strain relief (acc. to EN 62444)	1	Min. shield	1,5 mm
		diam. pos. 2	
		Max. shield	3 mm
No. of shield clamps	2	diam. pos. 2	
		Strain relief function	Yes
		Width	20 mm
		Height	28,4 mm
		For min. wall thickness	1,5 mm
		For max. wall thickness	2 mm

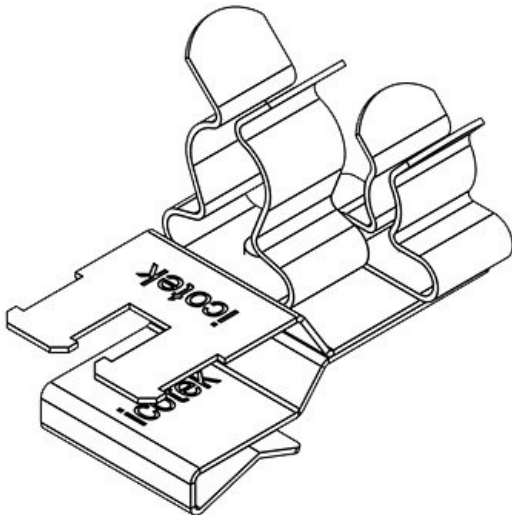


Part No.	36785.41	For max. no. of 2	
EAN	4251269304	cables	
	279	Shield	
		diameter	8 - 11 mm
Package quantity	10	Min. shield	8 mm
Shield clamp type	SKL	diam. pos. 1	11 mm
		Max. shield	11 mm
Length	37 mm	diam. pos. 1	
Strain relief (acc. to EN 62444)	1	Min. shield	1,5 mm
		diam. pos. 2	
		Max. shield	3 mm
No. of shield clamps	2	diam. pos. 2	
		Strain relief function	Yes
		Width	20 mm
		Height	28 mm
		For min. wall thickness	2 mm
		For max. wall thickness	3 mm



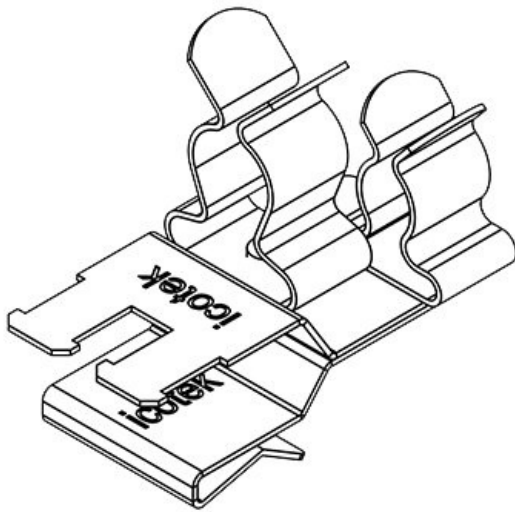


Part No.	36781.42	For max. no. of 2
EAN	4251269303	cables
Package quantity	746	Shield diameter 8 - 11 mm 3 - 6 mm
Shield clamp type	SKL	Min. shield diam. pos. 1 8 mm
Length	37 mm	Max. shield diam. pos. 1 11 mm
Strain relief (acc. to EN 62444)	1	Min. shield diam. pos. 2 3 mm
No. of shield clamps	2	Max. shield diam. pos. 2 6 mm
		Strain relief function Yes
		Width 20 mm
		Height 28,4 mm
		For min. wall thickness 1,5 mm
		For max. wall thickness 2 mm



Part No.	36785.42	For max. no. of 2
EAN	4251269304	cables
Package quantity	286	Shield diameter 8 - 11 mm 3 - 6 mm
Shield clamp type	SKL	Min. shield diam. pos. 1 8 mm
Length	37 mm	Max. shield diam. pos. 1 11 mm
Strain relief (acc. to EN 62444)	1	Min. shield diam. pos. 2 3 mm
No. of shield clamps	2	Max. shield diam. pos. 2 6 mm
		Strain relief function Yes
		Width 20 mm
		Height 28 mm
		For min. wall thickness 2 mm
		For max. wall thickness 3 mm

Part No.	36781.43	For max. no. of	2
EAN	4251269303	cables	
	753	Shield	8 - 11 mm 6
Package	10	diameter	- 8 mm
quantity		Min. shield	8 mm
Shield clamp	SKL	diam. pos. 1	
type		Max. shield	11 mm
Length	37 mm	diam. pos. 1	
Strain relief	1	Min. shield	6 mm
(acc. to EN		diam. pos. 2	
62444)		Max. shield	8 mm
No. of shield	2	diam. pos. 2	
clamps		Strain relief	Yes
		function	
		Width	20 mm
		Height	28,4 mm
		For min. wall	1,5 mm
		thickness	
		For max. wall	2 mm
		thickness	



Part No.	36785.43	For max. no. of	2
EAN	4251269304	cables	
	293	Shield	8 - 11 mm 6
Package	10	diameter	- 8 mm
quantity		Min. shield	8 mm
Shield clamp	SKL	diam. pos. 1	
type		Max. shield	11 mm
Length	37 mm	diam. pos. 1	
Strain relief	1	Min. shield	6 mm
(acc. to EN		diam. pos. 2	
62444)		Max. shield	8 mm
No. of shield	2	diam. pos. 2	
clamps		Strain relief	Yes
		function	
		Width	20 mm
		Height	28 mm
		For min. wall	2 mm
		thickness	
		For max. wall	3 mm
		thickness	

